



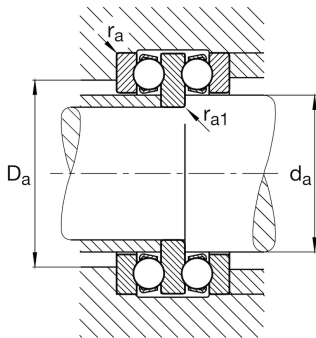
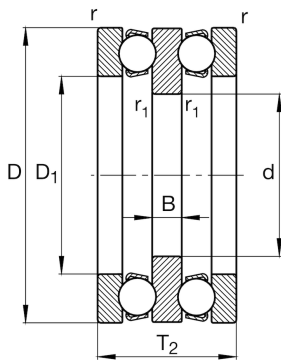
FAG

**52308**

Axial deep groove ball bearing

Schaeffler ID:  
0167156320000Axial deep groove ball bearing 523, double  
direction, steel sheet metal cage

## Technical information

**Main Dimensions & Performance Data**

d	30 mm	Inner diameter shaft washer
D	78 mm	Outer diameter housing washer
T <sub>2</sub>	49 mm	Height
C <sub>a</sub>	61.000 N	Basic dynamic load rating, axial
C <sub>0a</sub>	112.000 N	Basic static load rating, axial
C <sub>ua</sub>	5.100 N	Fatigue load limit, axial
n <sub>G</sub>	4.250 1/min	Limiting speed
n <sub>gr</sub>	7.200 1/min	Reference speed
	1,06 kg	Weight

**Mounting dimensions**

d <sub>a max</sub>	40 mm	Maximum diameter shaft shoulder
D <sub>a max</sub>	55 mm	Maximum diameter of housing shoulder
r <sub>a max</sub>	1 mm	Maximum fillet radius
r <sub>a1 max</sub>	0,6 mm	Maximum fillet radius

**Dimensions**

B	12 mm	Height shaft washer
r <sub>min</sub>	1 mm	Minimum chamfer dimension
r <sub>1 min</sub>	0,6 mm	Minimum chamfer dimension

**Temperature range**

T <sub>min</sub>	-30 °C	Operating temperature min.
T <sub>max</sub>	150 °C	Operating temperature max.

**Calculation factors**

A	0,081	Minimum load factor
---	-------	---------------------