



## Technical data

### UCFL.208

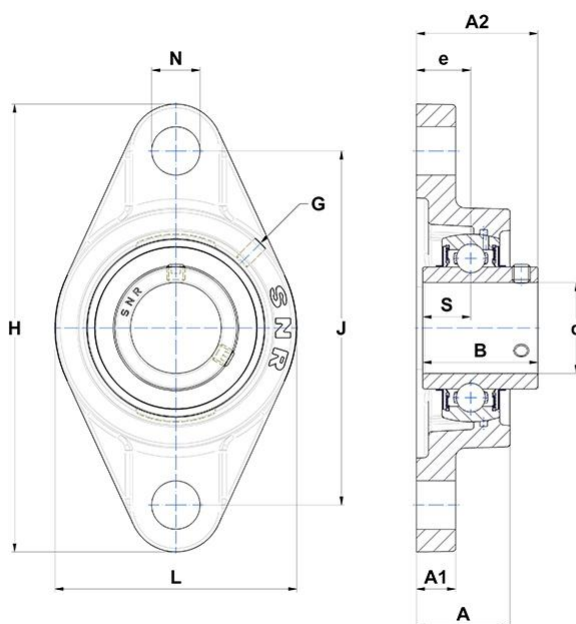
Bearing units

grey cast housing, radial insert ball bearing with socket set screws, seal with slinger, for low-temp. applications

## KIT CONTENT

UC208G2, FL208

## VISUAL (S)



## PRODUCT DEFINITION

<b>A - Housing height</b>	36 mm
<b>A1 - Housing foot height / flange height</b>	14 mm
<b>A2 - Total height from mounting surface</b>	51,2 mm
<b>B - Width of Inner Ring</b>	49,2 mm
<b>d - Shaft diameter</b>	40 mm

### PRODUCT DEFINITION

<b>e - Distance mounting surface to bearing center</b>	21 mm
<b>G - Grease fitting</b>	M6x1
<b>H - Housing length, width or diameter</b>	175 mm
<b>L - Housing width / diameter</b>	100 mm
<b>N - Mounting hole dimension</b>	16 mm
<b>S - Dist. cent. of raceway to face IR on side opp. lock. device</b>	19 mm
<b>Brand</b>	SNR

### PRODUCT PERFORMANCE

<b>C - Dynamic load rating</b>	29,6 kN
<b>C0 - Static load rating</b>	18,2 kN
<b>Operating temperature min.</b>	-20 °C
<b>Operating temperature max.</b>	100 °C

### OTHER FEATURES

<b>Mass</b>	1,48 kg
<b>Recommended tightening torque for set screw</b>	11.5 N-m