



## Technical data

ESP212N

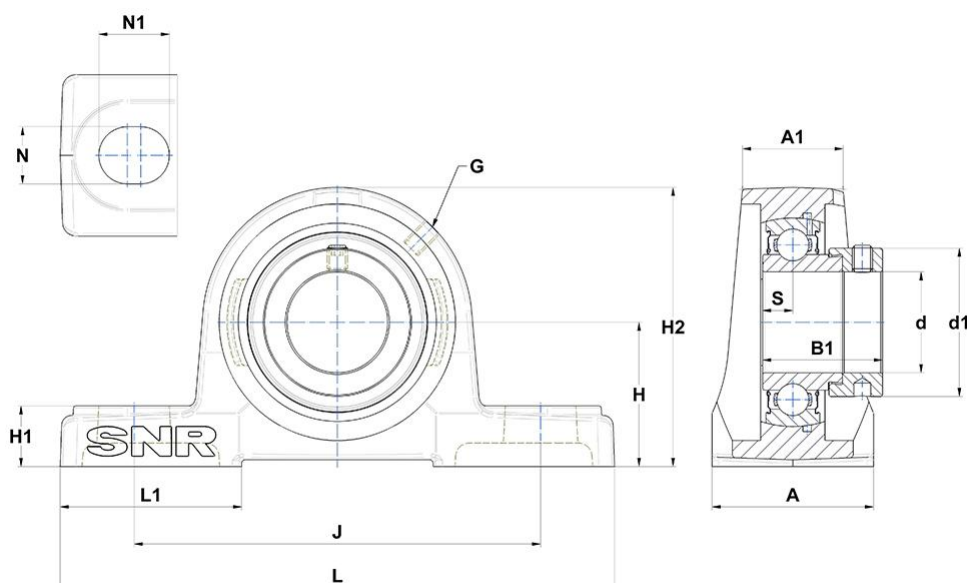
Bearing units

Grey cast housing, radial insert ball bearing with eccentric locking collar, single lip seal

### KIT CONTENT

ES212G2, P212N

### VISUAL (S)



### PRODUCT DEFINITION

<b>Brand</b>	SNR
<b>A - Housing width</b>	70 mm
<b>A1 - Housing top width</b>	44 mm
<b>B - Width of Inner Ring</b>	33,4 mm
<b>d - Shaft diameter</b>	60 mm
<b>d1 - Outer dia of eccent. Lock. collar / nut of adapter sleeve</b>	82 mm

### PRODUCT DEFINITION

<b>G - Grease fitting</b>	M6x1
<b>H - Distance mounting base to centerline spheric. seating diam.</b>	69,8 mm
<b>H1 - Housing foot height</b>	25 mm
<b>H2 - Housing height</b>	138 mm
<b>J - Mounting holes distance</b>	184 mm
<b>L - Housing length</b>	241 mm
<b>L1 - Housing foot length</b>	70 mm
<b>N - Mounting hole dimension</b>	20 mm
<b>N1 - Mounting hole length</b>	25 mm
<b>S - Distance front side/bearing centre</b>	12 mm

### PRODUCT PERFORMANCE

<b>C - Dynamic load rating</b>	52,5 kN
<b>C0 - Static load rating</b>	32,8 kN
<b>Operating temperature min.</b>	-20 °C
<b>Operating temperature max.</b>	100 °C

### OTHER FEATURES

<b>Mass</b>	4,6 kg
<b>Recommended tightening torque for set screw</b>	22 N-m