

## Technical data

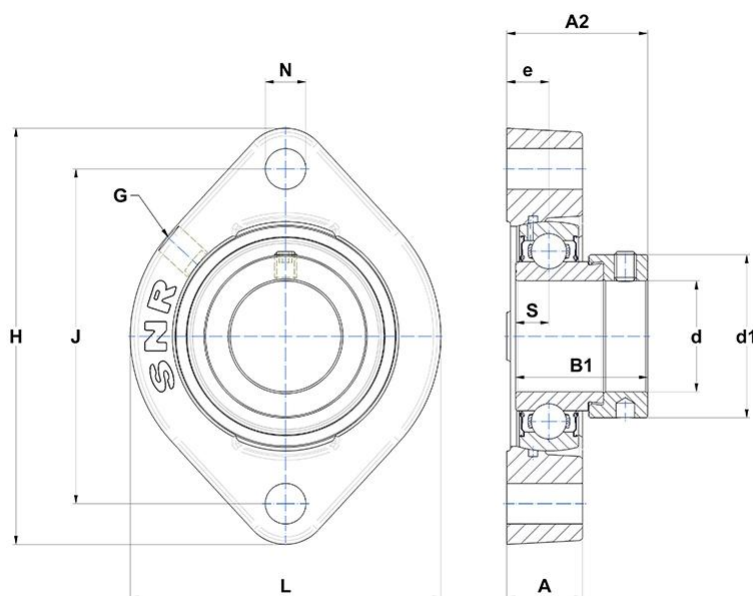
ESFD207  
Bearing units

Grey cast housing, radial insert ball bearing with eccentric locking collar, single lip seal

### KIT CONTENT

ES207G2, FD207

### VISUAL (S)



### PRODUCT DEFINITION

<b>Brand</b>	SNR
<b>A - Housing height</b>	22 mm
<b>A2 - Total height from mounting surface</b>	41,8 mm
<b>B - Width of Inner Ring</b>	25,4 mm
<b>B1 - Overall width Inner Ring</b>	38,9 mm
<b>d - Shaft diameter</b>	35 mm

### PRODUCT DEFINITION

<b>d1 - Outer dia of eccent. Lock. collar / nut of adapter sleeve</b>	51,1 mm
<b>e - Distance mounting surface to bearing center</b>	12,4 mm
<b>G - Grease fitting</b>	R1/8"
<b>H - Housing length, width or diameter</b>	126 mm
<b>J - Mounting holes distance</b>	100 mm
<b>L - Housing width / diameter</b>	94 mm
<b>N - Mounting hole dimension</b>	11 mm
<b>S - Distance front side/bearing centre</b>	9,5 mm

### PRODUCT PERFORMANCE

<b>C - Dynamic load rating</b>	25,7 kN
<b>C0 - Static load rating</b>	15,2 kN
<b>Operating temperature min.</b>	-20 °C
<b>Operating temperature max.</b>	100 °C

### OTHER FEATURES

<b>Mass</b>	1 kg
<b>Recommended tightening torque for set screw</b>	11.5 N-m