



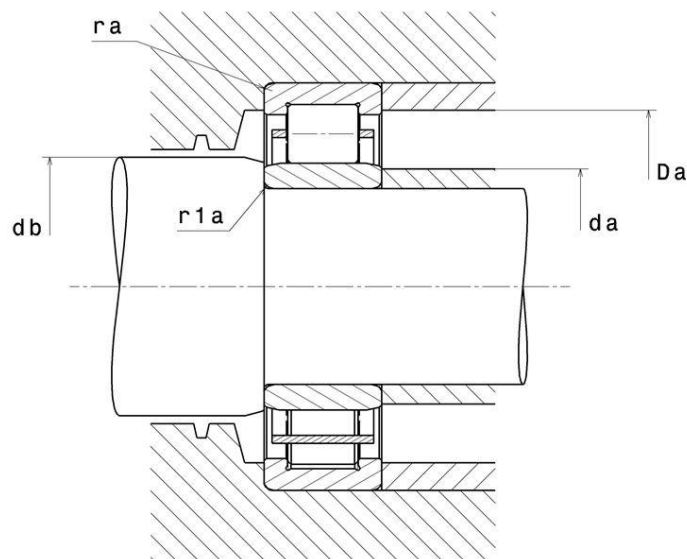
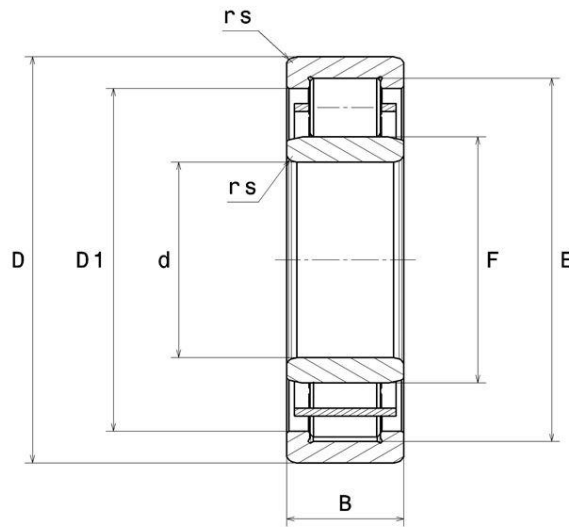
Technical data

NU312C3

Single row cylindrical roller bearings

Single row cylindrical roller bearing, floating, separable, pressed steel cage

VISUAL (S)



NU312C3

Single row cylindrical roller bearings

PRODUCT DEFINITION

Brand	NTN
d - Internal diameter	60 mm
D - External diameter	130 mm
B - Bearing/Inner ring width	31 mm
E - Upper roller diameter	113 mm
F - Under roller diameter	77 mm
rs - Min fillet radius	2,1 mm
r1s - Min fillet radius	2,1 mm
Radial clearance class	C3
Mass	1,8 kg

PRODUCT PERFORMANCE

C - Dynamic load	137 kN
C0 - Static load	126 kN
Cu - Fatigue limit load	15,4 kN
Nlim - Oil lubrication limit speed	6500 tr/min
Nlim - Grease lubrication limit speed	5500 tr/min
Tmin - Min operating temperature	-40 °C
Tmax - Max operating temperature	120 °C

ABUTMENT

da min - Min shoulder diameter IR	71 mm
da max - Small face shoulder max diameter	75 mm
db min - Min inner ring GO diameter	79 mm
Da max - Max shoulder diameter OR	119 mm

NU312C3

Single row cylindrical roller bearings

ABUTMENT

ra max - Max fillet radius	2 mm
r1a - Max fillet radius	2 mm

INDUSTRY CALCUL FACTORS

Equivalent dynamic radial load

$$P = Fr$$

Equivalent static radial load

$$P_0 = Fr$$