



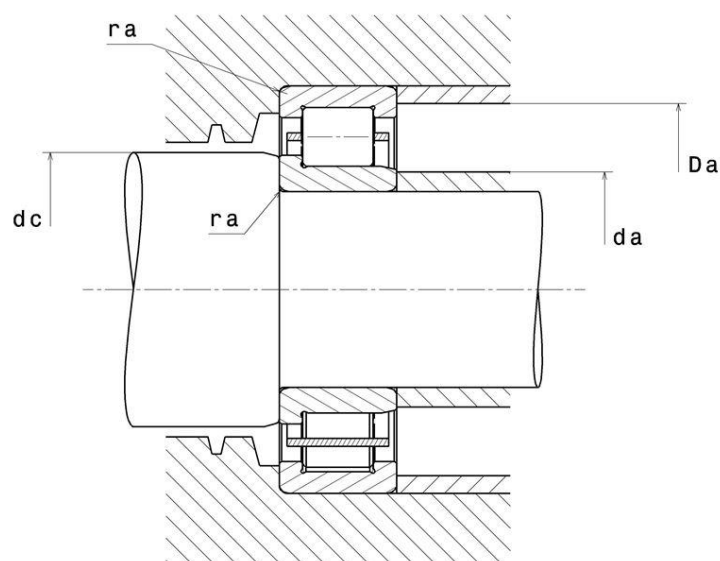
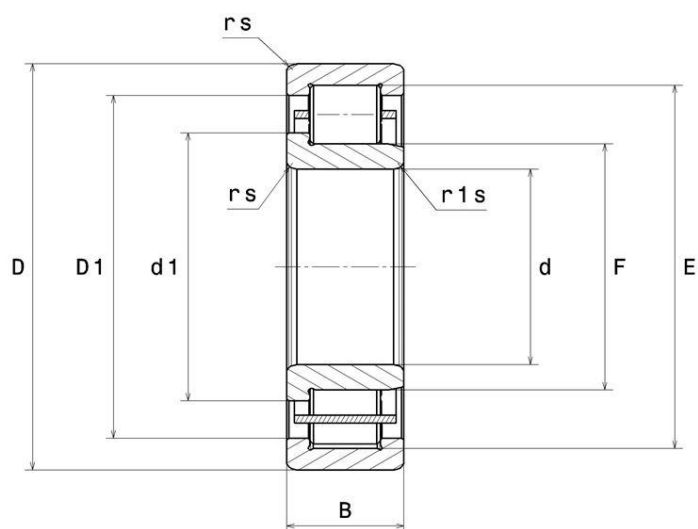
## Technical data

### NJ314C3

Single row cylindrical roller bearings

Single row cylindrical roller bearing, single direction for axial loads, separable, pressed steel cage.

#### VISUAL (S)



# NJ314C3

Single row cylindrical roller bearings

## PRODUCT DEFINITION

<b>Brand</b>	NTN
<b>d - Internal diameter</b>	70 mm
<b>D - External diameter</b>	150 mm
<b>B - Bearing/Inner ring width</b>	35 mm
<b>E - Upper roller diameter</b>	130 mm
<b>F - Under roller diameter</b>	90 mm
<b>d1 - IR flange outer diameter</b>	98 mm
<b>rs - Min fillet radius</b>	2,1 mm
<b>r1s - Min fillet radius</b>	2,1 mm
<b>Radial clearance class</b>	C3
<b>Mass</b>	2,78 kg

## PRODUCT PERFORMANCE

<b>C - Dynamic load</b>	175 kN
<b>C0 - Static load</b>	168 kN
<b>Cu - Fatigue limit load</b>	20 kN
<b>Nlim - Oil lubrication limit speed</b>	5500 tr/min
<b>Nlim - Grease lubrication limit speed</b>	4700 tr/min
<b>Tmin - Min operating temperature</b>	-40 °C
<b>Tmax - Max operating temperature</b>	120 °C

## ABUTMENT

<b>da min - Min shoulder diameter IR</b>	81 mm
<b>da max - Small face shoulder max diameter</b>	87 mm
<b>dc min - Min inner ring GO diameter</b>	100 mm

# NJ314C3

Single row cylindrical roller bearings

## ABUTMENT

<b>Da max - Max shoulder diameter OR</b>	139 mm
<b>ra max - Max fillet radius</b>	2 mm

## INDUSTRY CALCUL FACTORS

Equivalent dynamic radial load

$$P = Fr$$

Equivalent static radial load

$$P_0 = Fr$$