



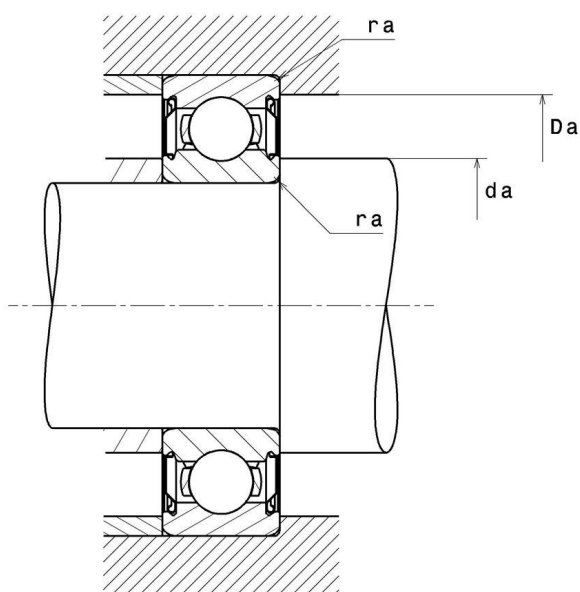
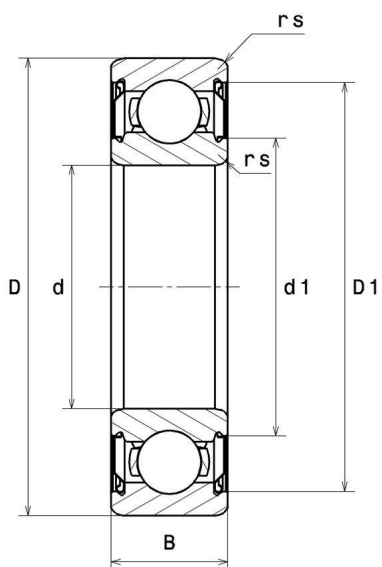
**Technical data**

**6218ZZC3**

Single row deep groove ball bearings

Deep groove ball bearing, radial contact, pressed steel cage, shields on both sides

**VISUAL (S)**



# 6218ZZC3

Single row deep groove ball bearings

## PRODUCT DEFINITION

<b>Brand</b>	SNR
<b>d - Internal diameter</b>	90 mm
<b>D - External diameter</b>	160 mm
<b>B - Bearing/Inner ring width</b>	30 mm
<b>d1 - External diameter inner ring</b>	106,4 mm
<b>D1 - Inner diameter outer ring</b>	144,6 mm
<b>rs - Min fillet radius</b>	2 mm
<b>Radial clearance class</b>	C3
<b>Mass</b>	2,25 kg

## PRODUCT PERFORMANCE

<b>C - Dynamic load</b>	101 kN
<b>C0 - Static load</b>	71,6 kN
<b>Cu - Fatigue limit load</b>	2,9 kN
<b>f0 - Coefficient</b>	14.5
<b>Nref - Reference thermal speed</b>	5100 tr/min
<b>Nlim - Mechanical Limit Speed</b>	5300 tr/min
<b>Tmin - Min operating temperature</b>	-30 °C
<b>Tmax - Max operating temperature</b>	120 °C

## BEARING FREQUENCIES

<b>BPFO - Characteristic outer ring frequency (60 rpm)</b>	4.111 Hz
<b>BPFI - Characteristic inner ring frequency (60 rpm)</b>	5.889 Hz
<b>FTF - Characteristic cage frequency (60 rpm)</b>	0.411 Hz
<b>BSF - Characteristic rolling element frequency (60 rpm)</b>	5.447 Hz

# 6218ZZC3

Single row deep groove ball bearings

## ABUTMENT

<b>da min - Min shoulder diameter IR</b>	99 mm
<b>da max - Max shoulder diameter IR</b>	106,4 mm
<b>Da max - Max shoulder diameter OR</b>	151 mm
<b>ra max - Max shaft &amp; housing fillet radius</b>	2 mm

## INDUSTRY CALCUL FACTORS

Equivalent dynamic radial load

$$P = X.F_r + Y.F_a$$

$\frac{f_0 F_a}{C_0}$	e	Fa / Fr ≤ e		Fa / Fr > e	
		X	Y	X	Y
0.172	0.19	1	0	0.56	2.3
0.345	0.22				1.99
0.689	0.26				1.71
1.03	0.28				1.55
1.38	0.3				1.45
2.07	0.34				1.31
3.45	0.38				1.15
5.17	0.42				1.04
6.89	0.44				1

Equivalent static radial load

$$P_0 = X_0.F_r + Y_0.F_a$$

$X_0$	$Y_0$
0.6	0.5

For single or DT bearing arrangement:

If  $P_0 < F_r$ , then use  $P_0 = F_r$