

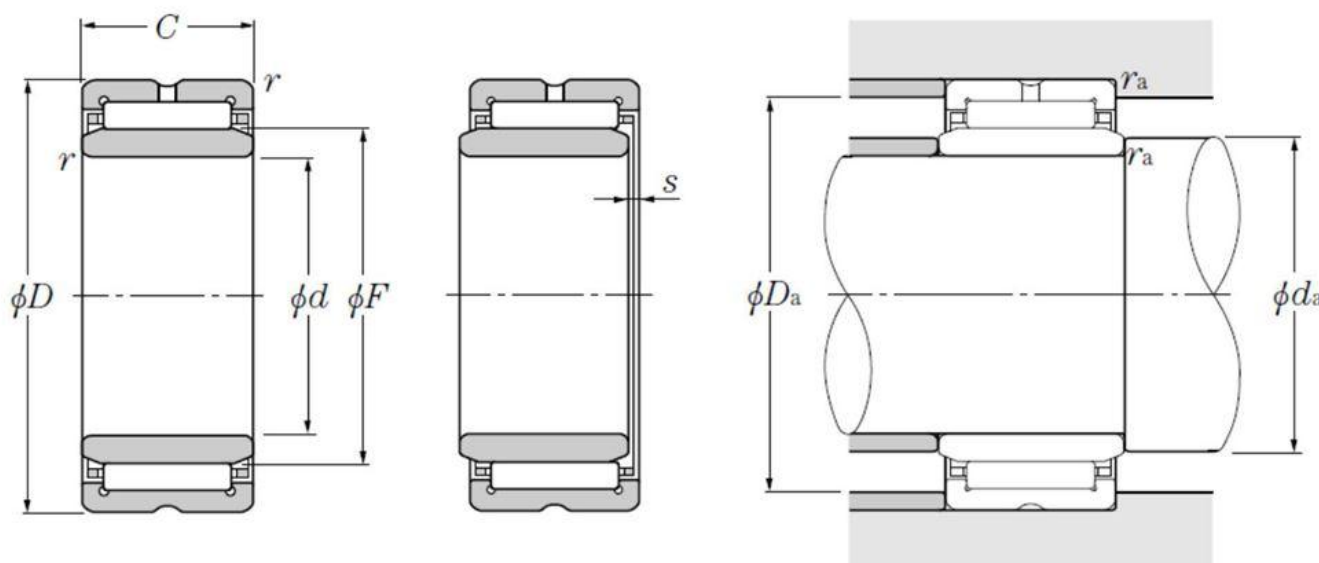
Technical data

NA6904R

Needle roller bearing, machined-ring, with inner ring

Needle roller bearing, machined-rings, with inner ring, double-side ribs, lubrication hole

VISUAL (S)



PRODUCT DIMENSIONS

d - Internal diameter	20 mm
D - External diameter	37 mm
C - Width of bearing, drawn cup or outer ring	30 mm
F - Under roller diameter	25 mm
rs - Min fillet radius	0,3 mm
s - Max axial offset	1 mm
Lubrication hole on outer ring	Yes
k - Hole diameter	2 mm

NA6904R

Needle roller bearing, machined-ring, with inner ring

PRODUCT DIMENSIONS

Lubrication hole on inner ring	No
Radial clearance class	CN
Precision class	P0
Mass	0,141 kg
Brand	NTN

PRODUCT PERFORMANCE

Cr - Dynamic load rating	36,5 kN
C0r - Static load rating	50,5 kN
Nlim - Grease lubrication limit speed	11000 tr/min
Nlim - Oil lubrication limit speed	16000 tr/min
Tmin - Min operating temperature	-20 °C
Tmax - Max operating temperature	120 °C

ABUTMENT

da min - Min shoulder diameter IR	22 mm
Da max - Max shoulder diameter OR	35 mm
ras max - Max shaft & housing fillet radius	0,3 mm