

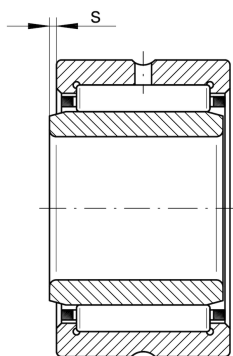
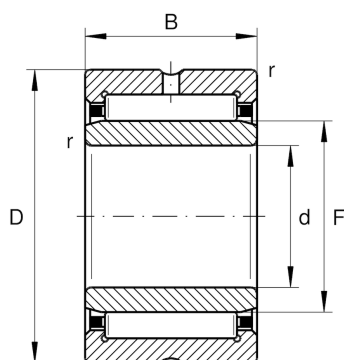
**NA6906-XL**

Needle roller bearing

Schaeffler ID:
0507441860000Needle roller bearing NA69..-XL, single
row, with inner ring, outer ring with 2 bords

X-life

Technical information

**Main Dimensions & Performance Data**

d	30 mm	Bore diameter
D	47 mm	Outside diameter
B	30 mm	Width
C_r	49.000 N	Basic dynamic load rating, radial
C_{0r}	71.000 N	Basic static load rating, radial
C_{ur}	13.100 N	Fatigue load limit, radial
n_G	12.600 1/min	Limiting speed
n_{gr}	6.300 1/min	Reference speed
	185,6 g	Weight

Dimensions

F	35 mm	Raceway diameter inner ring
r_{min}	0,3 mm	Minimum chamfer dimension
s	1 mm	Axial displacement

Temperature range

T_{min}	-30 °C	Operating temperature min.
T_{max}	120 °C	Operating temperature max.