



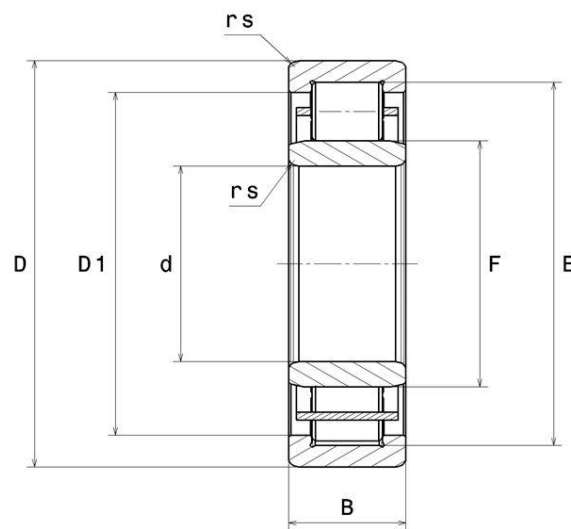
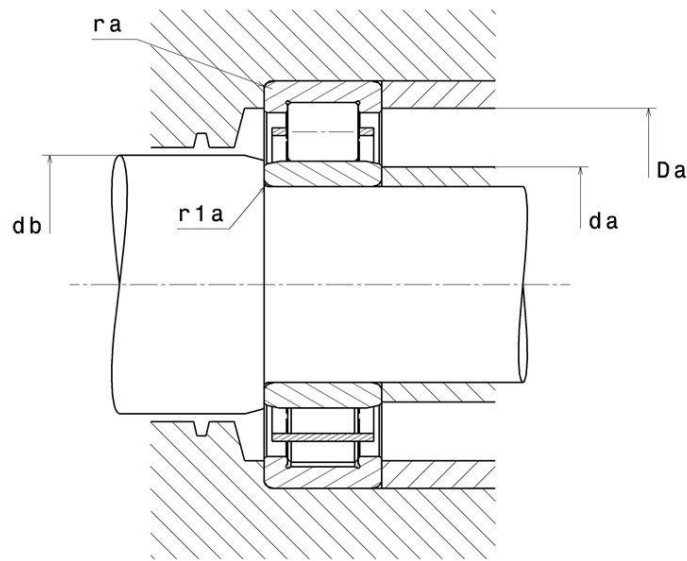
Technical data

NU212

Single row cylindrical roller bearings

Single row cylindrical roller bearing, floating, separable, pressed steel cage

VISUAL (S)



NU212

Single row cylindrical roller bearings

PRODUCT DIMENSIONS

Internal diameter (d)	60 mm
External diameter (D)	110 mm
Bearing/Inner ring width (B)	22 mm
Upper roller diameter E	97,5 mm
Under roller diameter F	73,5 mm
Min fillet radius (rs)	1,5 mm
Min fillet radius r1s	1,5 mm
Radial clearance class	CN
Mass	0,821 kg
Brand	NTN

PRODUCT PERFORMANCE

Dynamic load (C)	76 kN
Static load (C0)	75 kN
Fatigue limit load (Cu)	9,15 kN
Nlim (oil)	7600 tr/min
Nlim (grease)	6400 tr/min
Min operating temperature (Tmin)	-40 °C
Max operating temperature (Tmax)	120 °C

ABUTMENT

Min shoulder diameter IR (da min)	68 mm
Small face shoulder max diameter da max	71 mm
db min	75 mm
Max shoulder diameter OR (Da max)	102 mm

NU212

Single row cylindrical roller bearings

ABUTMENT

Max fillet radius ra max	1,5 mm
Maxi fillet radius r1a	1,5 mm

INDUSTRY CALCUL FACTORS

Equivalent dynamic radial load

$$P = Fr$$

Equivalent static radial load

$$P_0 = Fr$$