

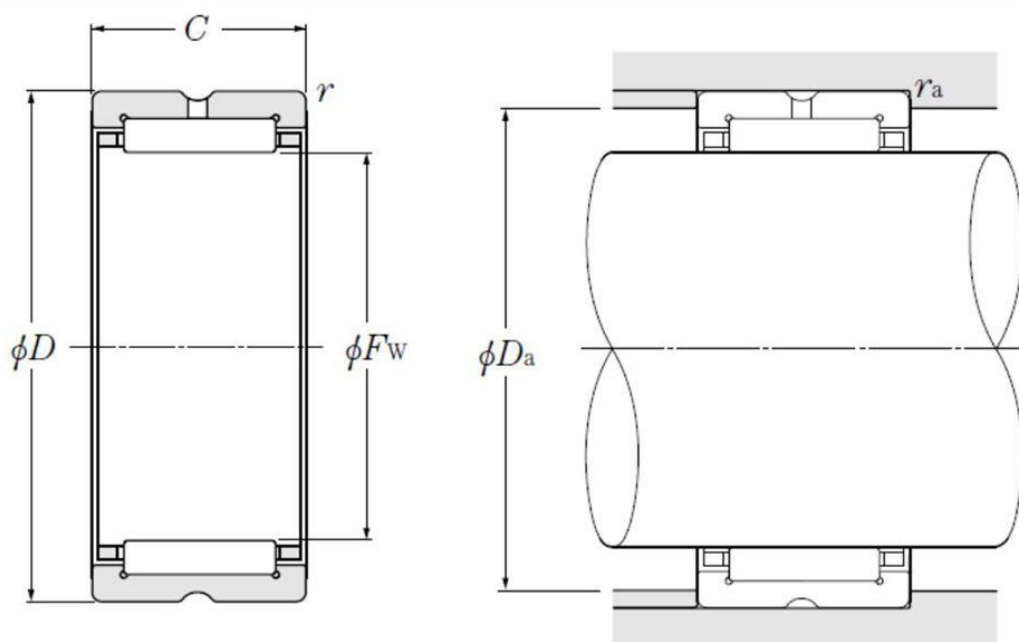
## Technical data

### NK85/35R

Needle roller bearing, machined-ring, without inner ring

Needle roller bearing, machined-ring, without inner ring, double-side ribs, lubrication hole

#### VISUAL (S)



#### PRODUCT DIMENSIONS

<b>Fw - Under rollers diameter</b>	85 mm
<b>D - External diameter</b>	105 mm
<b>C - Width of bearing, drawn cup or outer ring</b>	35 mm
<b>rs - Min fillet radius</b>	1 mm
<b>Lubrication hole on outer ring</b>	Yes
<b>k - Hole diameter</b>	3,5 mm
<b>Radial clearance class</b>	CN
<b>Precision class</b>	P0

# NK85/35R

Needle roller bearing, machined-ring, without inner ring

## PRODUCT DIMENSIONS

<b>Mass</b>	0,517 kg
<b>Brand</b>	NTN

## PRODUCT PERFORMANCE

<b>Cr - Dynamic load rating</b>	100 kN
<b>C0r - Static load rating</b>	193 kN
<b>Nlim - Grease lubrication limit speed</b>	3100 tr/min
<b>Nlim - Oil lubrication limit speed</b>	4700 tr/min
<b>Tmin - Min operating temperature</b>	-20 °C
<b>Tmax - Max operating temperature</b>	120 °C

## ABUTMENT

<b>Da max - Max shoulder diameter OR</b>	100 mm
<b>ras max - Max shaft &amp; housing fillet radius</b>	1 mm