

ZKLN3072-2RS-XL

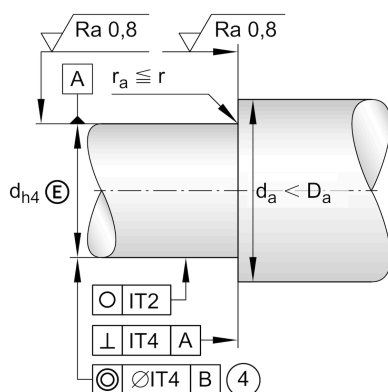
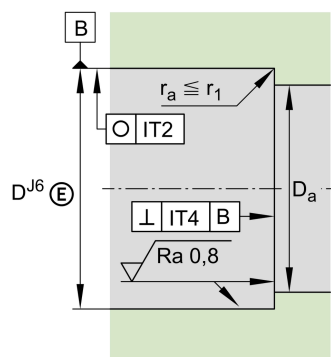
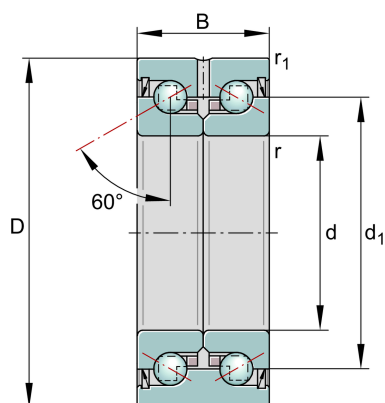
Axial angular contact ball bearing

Schaeffler ID:
0005555090000

Axial angular contact ball bearing
ZKLN..-2RS-XL, double direction, no screw
mounting

X-life

Technical information



Main Dimensions & Performance Data

d	30 mm	Bore diameter
	0 mm	Bore diameter upper tolerance
	-0,005 mm	Bore diameter lower tolerance
D	72 mm	Outside diameter
	0 mm	Outside diameter upper tolerance
	-0,01 mm	Outside diameter lower tolerance
B	38 mm	Width
	0 mm	Width upper tolerance
	-0,25 mm	Width lower tolerance
C _a	65.000 N	Basic dynamic load rating, axial
C _{0a}	108.000 N	Basic static load rating, axial
C _{ua}	6.500 N	Fatigue load limit, axial
n _{G Grease}	4.500 1/min	Limiting speed for grease lubrication
n _g	2.100 1/min	Thermally safe operating speed
M _R	0,8 Nm	Bearing frictional torque
	0,734 kg	Weight

Mounting dimensions

D _{a max}	64 mm	Maximum diameter of housing
d _{a min}	47 mm	Minimum diameter shaft

Dimensions

d ₁	51 mm	Rib diameter inner ring
r _{min}	0,3 mm	Minimum chamfer dimension
r _{1 min}	0,6 mm	Minimum chamfer dimension
α	60 °	Contact angle

Additional information

c_{aL}	950 N/ μ m	Rigidity axial
c_{kL}	400 Nm/mrad	Tilting rigidity
M_m	1,91 kg * cm ²	Mass moment of inertia
	2,5 μ m	Axial runout
	ZMA30/52	Recommended INA precision locknut for radial locking
	AM30	Recommended INA precision locknut for axial locking
M_A	65 Nm	Tightening torque for the recommended INA precision locknut
	19.509 N	Required locknut force axial

Temperature range

T_{min}	-30 °C	Operating temperature min.
T_{max}	120 °C	Operating temperature max.