

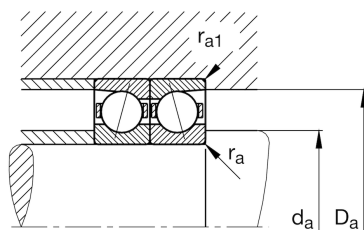
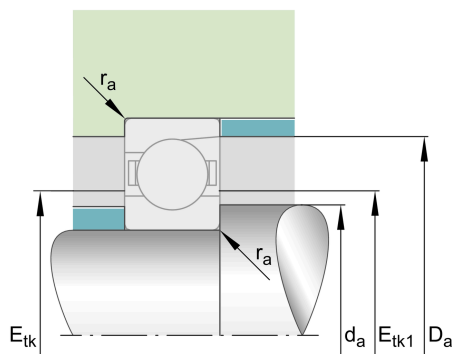
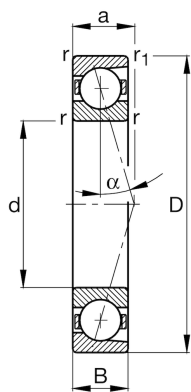
FAG

B7204-C-T-P4S-UL

Spindle bearing

Schaeffler ID:
0191559560000Spindle bearings B72...-C, adjusted, in pairs or sets, contact angle $\alpha = 15^\circ$, restricted tolerances

Technical information

**Main Dimensions & Performance Data**

d	20 mm	Bore diameter
D	47 mm	Outside diameter
B	14 mm	Width
C_r	17.200 N	Basic dynamic load rating, radial
C_{0r}	8.000 N	Basic static load rating, radial
C_{ur}	850 N	Fatigue load limit, radial
$n_{G \text{ Grease}}$	32.000 1/min	Limiting speed for grease lubrication
$n_{G \text{ Oil}}$	48.000 1/min	Limiting speed for oil lubrication
	0,11 kg	Weight

Mounting dimensions

d_a	26,5 mm	Diameter shaft shoulder
d_a	h12	Diameter shaft shoulder clearance
D_a	40,5 mm	Shoulder diameter outer ring
D_a	H12	Shoulder diameter outer ring clearance
$r_{a \text{ max}}$	1 mm	Maximum recess radius
$r_{a1 \text{ max}}$	0,3 mm	Maximum recess radius
$E_{tk \text{ min}}$	29,6 mm	Minimum diameter injection pitch
$E_{tk \text{ max}}$	31,7 mm	Maximum diameter injection pitch
$E_{tk1 \text{ min}}$	29,6 mm	Minimum diameter injection pitch
$E_{tk1 \text{ max}}$	31,7 mm	Maximum diameter injection pitch
a	11,5 mm	Distance between the apexes of the pressure cones

Dimensions

r_{min}	1 mm	Minimum chamfer dimension
$r_{1 \text{ min}}$	1 mm	Minimum chamfer dimension
α	15°	Contact angle

Additional information

F_{VL}	75 N	Preload force light
F_{VM}	248 N	Preload force medium
F_{VH}	496 N	Preload force heavy
K_{aEL}	234 N	Lift-off force light
K_{aEM}	851 N	Lift-off force medium
K_{aEH}	1.828 N	Lift-off force heavy
c_{aL}	28,1 N/ μm	Axial rigidity light
c_{aM}	49,3 N/ μm	Axial rigidity medium
c_{aH}	71,1 N/ μm	Axial rigidity heavy

Temperature range

T_{\min}	-30 °C	Operating temperature min.
T_{\max}	100 °C	Operating temperature max.