



FAG

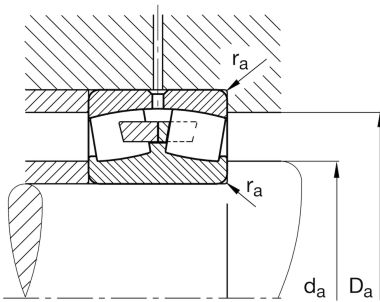
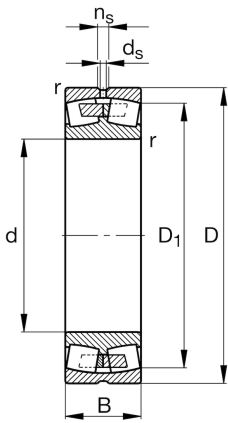
**23226-E1A-XL-M**

Spherical roller bearing

Schaeffler ID:  
0190016140000Spherical roller bearings 232...-E1A, main  
dimensions to DIN 635-2

X-life

## Technical information

**Main Dimensions & Performance Data**

d	130 mm	Bore diameter
D	230 mm	Outside diameter
B	80 mm	Width
$C_r$	910.000 N	Basic dynamic load rating, radial
$C_{0r}$	1.150.000 N	Basic static load rating, radial
$C_{ur}$	91.000 N	Fatigue load limit, radial
$n_G$	2.850 1/min	Limiting speed
$n_{gr}$	1.740 1/min	Reference speed
	14,018 kg	Weight

**Mounting dimensions**

$d_{a \min}$	144 mm	Minimum diameter shaft shoulder
$D_{a \max}$	216 mm	Maximum diameter of housing shoulder
$r_{a \max}$	2,5 mm	Maximum recess radius

**Dimensions**

e	0,33	Limiting value of $F_a/F_r$ for the applicability of diff. Values of factors X and Y
$r_{\min}$	3 mm	Minimum chamfer dimension
$D_1$	199,3 mm	Bore diameter outer ring
$Y_1$	2,07	Dynamic axial load factor
$Y_2$	3,09	Dynamic axial load factor
$d_s$	4,8 mm	Diameter lubrication hole
$Y_0$	2,03	Static axial load factor
$n_s$	9,5 mm	Width of lubricating groove

**Temperature range**

$T_{\min}$	-30 °C	Operating temperature min.
$T_{\max}$	200 °C	Operating temperature max.