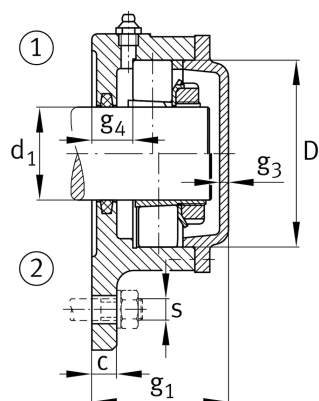
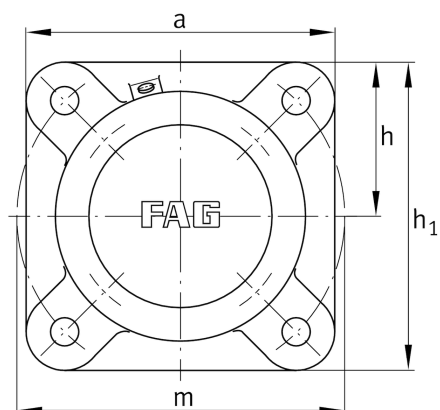


**FAG****F516-A-L**

Flanged housing

Schaeffler ID:  
0384387630000Flanged housing for various bearing types,  
with conical bore and clamping sleeve,  
closed on one side

## Technical information



## Dimensions

	M10x1	connection thread lubrication
c	25 mm	thickness of flange
D	140 mm	outside diameter bearing
g <sub>4</sub>	32 mm	distance flange to bearing seat
h	98 mm	distance shaft axis
m	215 mm	pitch circle diameter fixing holes
s	M16	size of fixing screws
	9,775 kg	Weight

## Main Dimensions &amp; Performance Data

d <sub>1</sub>	70 mm	Shaft diameter
a	196 mm	Flange width
h <sub>1</sub>	196 mm	height flange
g <sub>2</sub>	101 mm	total width with cover
	4	number of fastening holes