



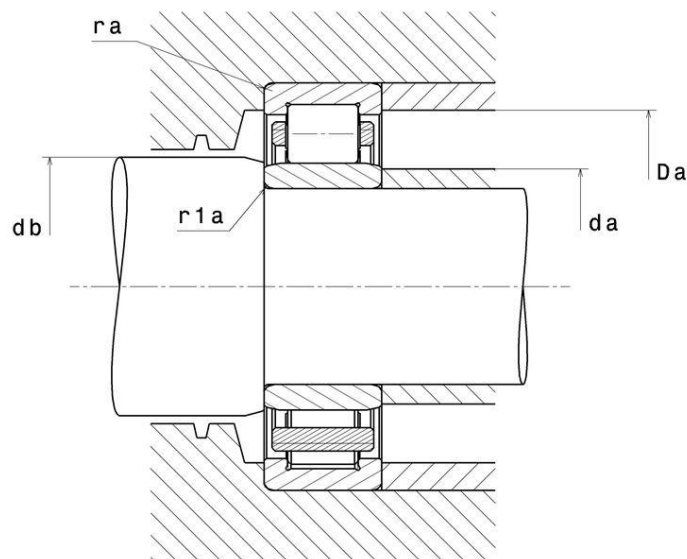
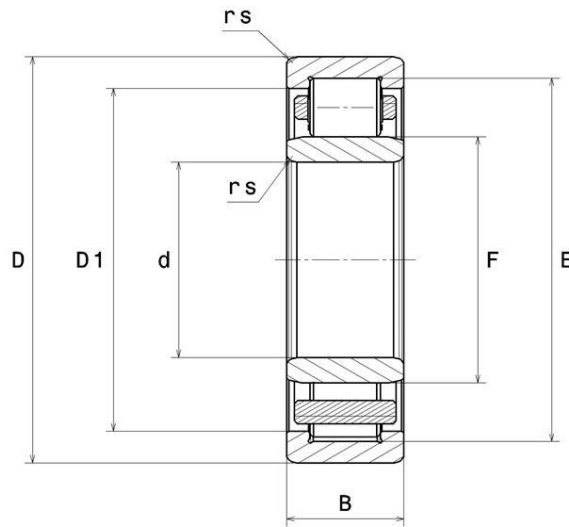
**Technical data**

**NU208EG15**

Single row cylindrical roller bearings

Single row cylindrical roller bearing, floating, separable, polyamide cage

**VISUAL (S)**



# NU208EG15

Single row cylindrical roller bearings

## PRODUCT DIMENSIONS

<b>Internal diameter (d)</b>	40 mm
<b>External diameter (D)</b>	80 mm
<b>Bearing/Inner ring width (B)</b>	18 mm
<b>Upper roller diameter E</b>	71,5 mm
<b>Under roller diameter F</b>	49,5 mm
<b>OR flange inner diameter D1</b>	68,3 mm
<b>Min fillet radius (rs)</b>	1,1 mm
<b>Min fillet radius r1s</b>	1,1 mm
<b>Radial clearance class</b>	CN
<b>Mass</b>	0,38 kg
<b>Brand</b>	SNR

## PRODUCT PERFORMANCE

<b>Dynamic load (C)</b>	54,4 kN
<b>Static load (C0)</b>	53,8 kN
<b>Fatigue limit load (Cu)</b>	6,6 kN
<b>Reference thermal speed (Nref)</b>	7600 tr/min
<b>Mechanical Limit Speed (Nlim)</b>	11000 tr/min
<b>Nlim (oil)</b>	8800 tr/min
<b>Nlim (grease)</b>	7300 tr/min
<b>Min operating temperature (Tmin)</b>	-20 °C
<b>Max operating temperature (Tmax)</b>	120 °C
<b>Characteristic cage frequency, FTF</b>	0.409 Hz
<b>Characteristic rolling element frequency, BSF</b>	5.318 Hz

# NU208EG15

Single row cylindrical roller bearings

## PRODUCT PERFORMANCE

Characteristic outer ring frequency, BPF0	5.727 Hz
Characteristic inner ring frequency, BPII	8.273 Hz

## ABUTMENT

Min shoulder diameter IR (da min)	46,5 mm
Small face shoulder max diameter da max	49 mm
Max shoulder diameter OR (Da max)	73,5 mm
Max fillet radius ra max	1 mm
Maxi fillet radius r1a	1 mm

## INDUSTRY CALCUL FACTORS

Equivalent dynamic radial load

$$P = Fr$$

Equivalent static radial load

$$Po = Fr$$