

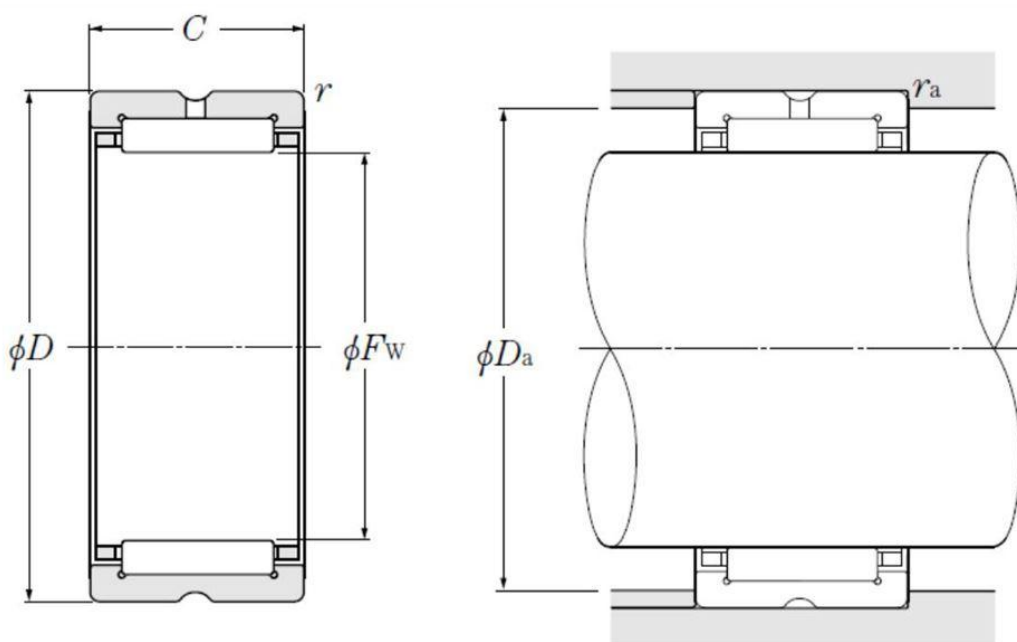
Technical data

NK15/20R

Needle roller bearing, machined-ring, without inner ring

Needle roller bearing, machined-ring, without inner ring, double-side ribs, lubrication hole

VISUAL (S)



PRODUCT PERFORMANCE

Dynamic load rating (Cr)	13,8 kN
Static load rating (C0r)	17,2 kN
Nlim (grease)	15000 tr/min
Nlim (oil)	23000 tr/min
Min operating temperature (Tmin)	-20 °C
Max operating temperature (Tmax)	120 °C

PRODUCT DIMENSIONS

Under rollers diameter (Fw)	15 mm
-----------------------------	-------

NK15/20R

Needle roller bearing, machined-ring, without inner ring

PRODUCT DIMENSIONS

External diameter (D)	23 mm
Width of bearing, drawn cup or outer ring (C)	20 mm
Min fillet radius (rs)	0,3 mm
Lubrication hole on outer ring	Yes
Hole diameter (k)	2,5 mm
Radial clearance class	CN
Precision class	P0
Mass	0,027 kg
Brand	NTN

ABUTMENT

Max shoulder diameter OR (Da max)	21 mm
Max shaft & housing fillet radius (ras max)	0,3 mm