

**NA4912-XL**

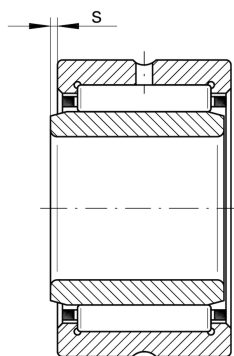
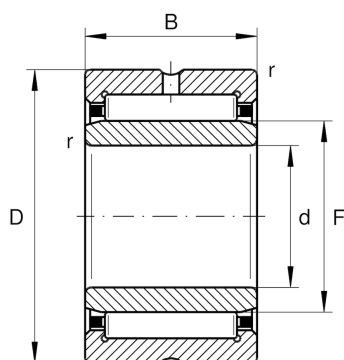
Needle roller bearing

Schaeffler ID:
0506615740000

Needle roller bearing NA49..-XL, single row, with inner ring, outer ring with 2 bords

X-life

Technical information

**Main Dimensions & Performance Data**

d	60 mm	Bore diameter
D	85 mm	Outside diameter
B	25 mm	Width
C_r	68.000 N	Basic dynamic load rating, radial
C_{0r}	108.000 N	Basic static load rating, radial
C_{ur}	19.100 N	Fatigue load limit, radial
n_G	6.700 1/min	Limiting speed
n_{gr}	3.700 1/min	Reference speed
	0,425 kg	Weight

Dimensions

F	68 mm	Raceway diameter inner ring
r_{min}	1 mm	Minimum chamfer dimension
s	1,5 mm	Axial displacement

Temperature range

T_{min}	-30 °C	Operating temperature min.
T_{max}	120 °C	Operating temperature max.