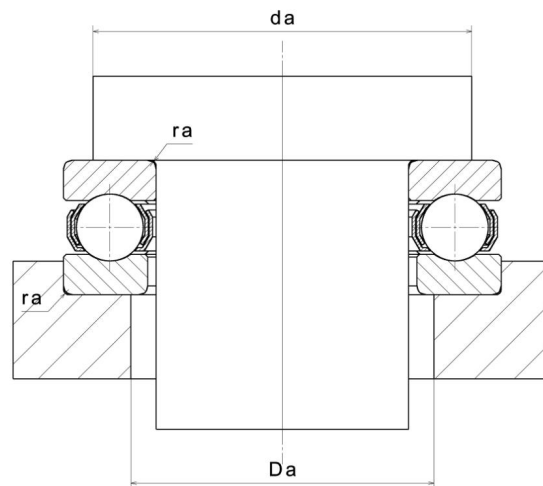
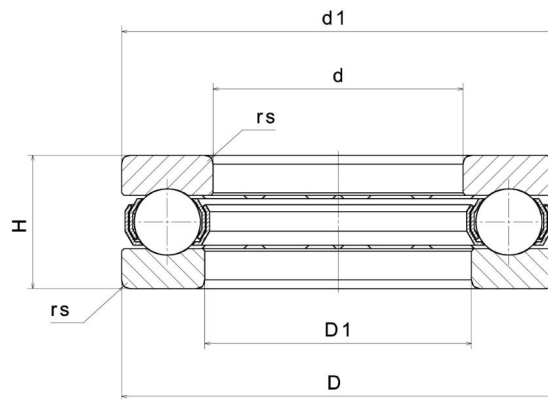


Technical data

51318

Butée à billes simple effet

VISUAL (S)



PRODUCT DEFINITION

Brand	NTN
d - Internal diameter	90 mm
D - External diameter	155 mm
T - Thrust bearing height	50 mm
rs - Min fillet radius	1,5 mm
Mass	3,74 kg

PRODUCT PERFORMANCE

Ca - Dynamic axial load rating	213 kN
C0a - Static axial load rating	525 kN
Cua - Limit axial load rating	21,3 kN
Nlim - Oil lubrication limit speed	1600 tr/min
Nlim - Grease lubrication limit speed	1100 tr/min
Tmin - Min operating temperature	-40 °C
Tmax - Max operating temperature	120 °C

ABUTMENT

Da max - Max shoulder diameter OR	116 mm
da min - Min shoulder diameter IR	129 mm