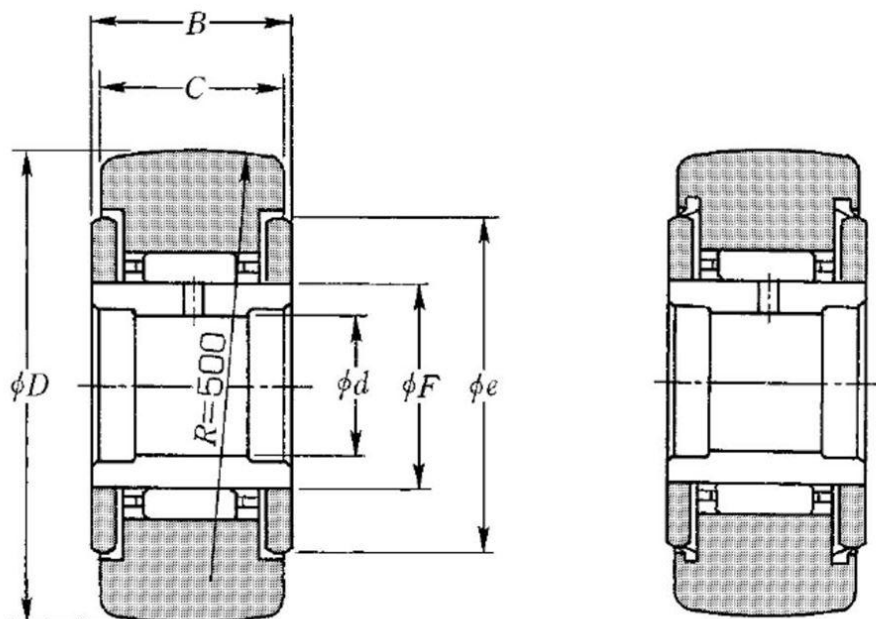


Technical data

NATR6LL/3AS

Roller follower with inner ring

VISUAL (S)



PRODUCT DIMENSIONS

Internal diameter d	6 mm
External diameter D	19 mm
Width of bearing, drawn cup or outer ring (C)	11 mm
Under roller diameter F	10 mm
Bearing/Inner ring width(B)	12 mm
Inlet diameter of roller or washer (e)	14 mm
Track roller radius (R)	500 mm
Bearing with/without cage	With
Radial clearance class	CN
Precision class	P0
Mass	0,025 kg
Brand	NTN

NATR6LL/3AS

Roller follower with inner ring

PRODUCT PERFORMANCE

Dynamic load rating (Cr)	4,75 kN
Static load rating (C0r)	5,4 kN
Track load capacity spherical outer ring	1,38 kN
Nlim (grease)	10000 tr/min
Min operating temperature, Tmin	-20 °C
Max operating temperature, Tmax	100 °C
Characteristic cage frequency, FTF	0.435 Hz
Characteristic rolling element frequency, BSF	7.536 Hz
Characteristic outer ring frequency, BPF0	6.522 Hz
Characteristic inner ring frequency, BPFI	8.478 Hz