



FAG

**3313-BD-XL-TVH**

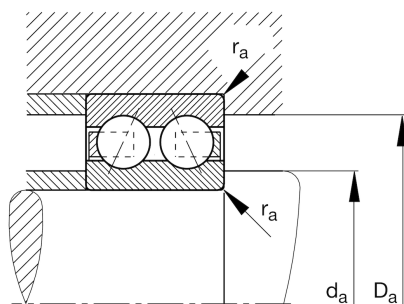
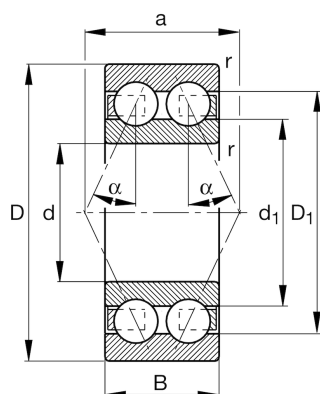
Angular contact ball bearing

Schaeffler ID:  
0788348560000

Angular contact ball bearing 33..-BD-XL-TVH, double row, X-life, plastic cage

X-life

## Technical information

**Main Dimensions & Performance Data**

d	65 mm	Bore diameter
D	140 mm	Outside diameter
B	58,7 mm	Width
C <sub>r</sub>	150.000 N	Basic dynamic load rating, radial
C <sub>0r</sub>	119.000 N	Basic static load rating, radial
C <sub>ur</sub>	8.100 N	Fatigue load limit, radial
n <sub>G</sub>	4.900 1/min	Limiting speed
n <sub>gr</sub>	5.300 1/min	Reference speed
	4,1 kg	Weight

**Dimensions**

r <sub>min</sub>	2,1 mm	Minimum chamfer dimension
D <sub>1</sub>	120,5 mm	Shoulder diameter outer ring
d <sub>1</sub>	93,4 mm	Shoulder diameter inner ring
a	83,5 mm	Distance between the apexes of the pressure cones
α	30 °	Contact angle

**Mounting dimensions**

d <sub>a min</sub>	77 mm	Minimum diameter shaft shoulder
D <sub>a max</sub>	128 mm	Maximum diameter of housing shoulder
r <sub>a max</sub>	2,1 mm	Maximum fillet radius

**Temperature range**

T <sub>min</sub>	-30 °C	Operating temperature min.
T <sub>max</sub>	120 °C	Operating temperature max.