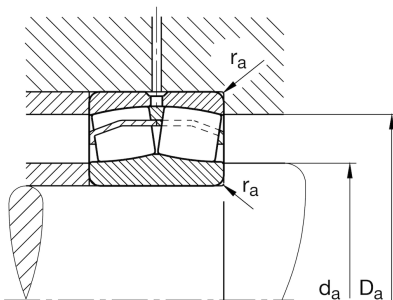
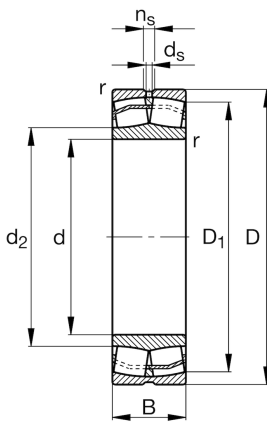
**22310-E1-XL-T41A**

Spherical roller bearing

Schaeffler ID:
0190194750000Spherical roller bearing 223..-E1-XL-T41A,
symmetric with cage guidance ring

Technical information

**Main Dimensions & Performance Data**

d	50 mm	Bore diameter
D	110 mm	Outside diameter
B	40 mm	Width
C_r	229.000 N	Basic dynamic load rating, radial
C_{0r}	223.000 N	Basic static load rating, radial
C_{ur}	20.700 N	Fatigue load limit, radial
n_G	6.300 1/min	Limiting speed
n_{gr}	4.800 1/min	Reference speed
	1,867 kg	Weight

Additional information

r_{min}	2 mm	Minimum chamfer dimension
D_1	92,6 mm	Bore diameter outer ring
d_2	63 mm	Raceway diameter of the inner ring
d_s	3,2 mm	Diameter lubrication hole
n_s	6,5 mm	Width of lubricating groove

Mounting dimensions

$d_{a min}$	61 mm	Minimum diameter shaft shoulder
$D_{a max}$	99 mm	Maximum diameter of housing shoulder
$r_{a max}$	2 mm	Maximum recess radius

Calculation factors

e	0,36	Limiting value of F_a/F_r for the applicability of diff. Values of factors X and Y
Y_1	1,86	Dynamic axial load factor
Y_2	2,77	Dynamic axial load factor
Y_0	1,82	Static axial load factor

Temperature range

T _{min}	-30 °C	Operating temperature min.
T _{max}	200 °C	Operating temperature max.