

FAG

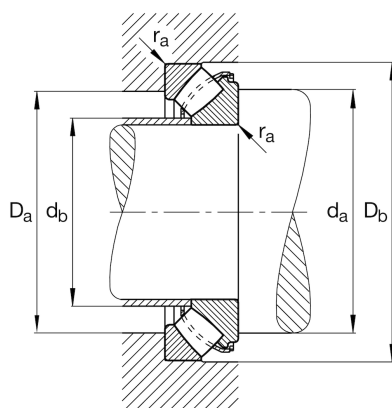
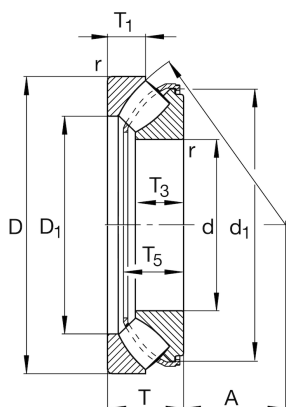
29426-E1-XL

Axial spherical roller bearing

Schaeffler ID:
0390004350000Axial spherical roller bearing 294..-E1-XL,
no flanging ring

X-life

Technical information

**Main Dimensions & Performance Data**

d	130 mm	Bore diameter
D	270 mm	Outside diameter
T	85 mm	Height
C_a	1.700.000 N	Basic dynamic load rating, axial
C_{0a}	4.350.000 N	Basic static load rating, axial
C_{ua}	460.000 N	Fatigue load limit, axial
n_G	2.600 1/min	Limiting speed
n_{gr}	1.360 1/min	Reference speed
	20,48 kg	Weight

Dimensions

D_1	184,5 mm	Bore diameter housing washer
d_1	240 mm	Rip diameter shaft washer
r_{min}	4 mm	Minimum chamfer dimension
T_1	40,9 mm	Height of the housing washer
T_3	54 mm	Height of the shaft washer
T_5	75 mm	Distance shaft washer - cage
A	81 mm	Distance of the center point

Mounting dimensions

$d_{a min}$	195 mm	Minimum diameter shaft shoulder
$D_{a max}$	227 mm	Maximum diameter of housing shoulder
$D_{b min}$	275 mm	Minimum bore diameter housing
$d_{b max}$	153 mm	Maximum distance sleeve
$d_{b1 max}$	143 mm	Maximum chamfer diameter of distance sleeve
$r_{a max}$	3 mm	Maximum recess radius
	30 °	Angle of chamfer of the distance sleeve

Temperature range

T_{\min}	-30 °C	Operating temperature min.
T_{\max}	200 °C	Operating temperature max.

