



Technical data

UKT316H

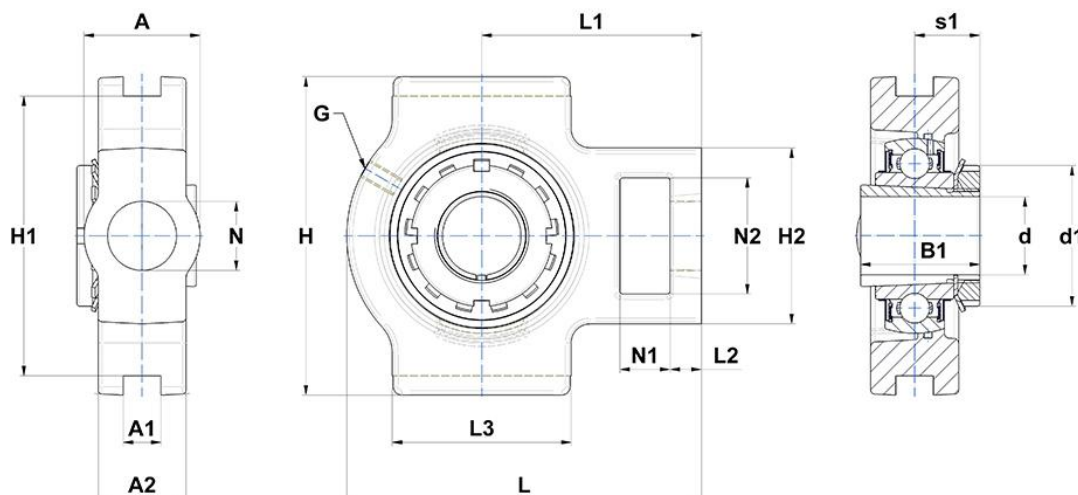
Bearing units

Grey cast housing, radial insert ball bearing with adapter sleeve, seal with slinger

KIT CONTENT

UK316G2H, T316

VISUAL (S)



PRODUCT DIMENSIONS

Housing width (A)	102 mm
Width of location slot (A1)	30 mm
Width over loc. slot flange(T/ST)/width at mount. hole(EHE)(A2)	60 mm
Total height - frame + insert (A5)	44,5 mm
Width of IR (B)	55 mm
Overall width IR incl. eccent. locking collar/adapt. sleeve(B1)	78 mm

PRODUCT DIMENSIONS

Shaft dia (d)	70 mm
Outer dia of eccent. Lock. collar / nut of adapter sleeve (d1)	105 mm
Grease fitting (G)	M10x1
Housing length, width or diameter (H)	230 mm
Distance between bottoms of location slots (H1)	204 mm
Housing height / width (H2)	150 mm
Housing length (L)	282 mm
Distance from attachment end face to bearing centerline (L1)	174 mm
Thickness of attachment end (L2)	30 mm
Length of location slot (T/ST)/ guidance length (EHE) (L3)	160 mm
Mounting hole dimension (N)	53 mm
Length of attachment slot (N1)	42 mm
Height of attachment slot (N2)	98 mm
Distance nut - middle of bearing raceway (s1)	44,5 mm
Brand	SNR

PRODUCT PERFORMANCE

Dynamic load rating (C)	122,85 kN
Static load rating (C0)	86,5 kN
Operating temperature min.	-20 °C
Operating temperature max.	100 °C

OTHER FEATURES

Mass	16,23 kg
Adapter sleeve reference	H2316