



Technical data

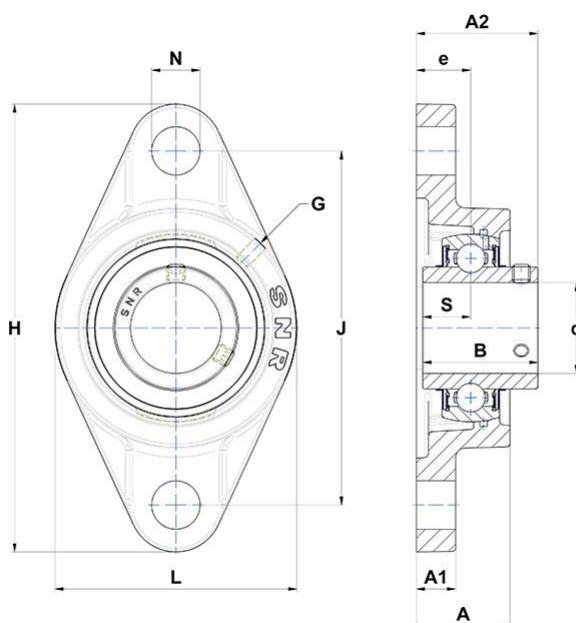
UCFL209
Bearing units

Grey cast housing, radial insert ball bearing with socket set screws, seal with slinger

KIT CONTENT

UC209G2, FL209

VISUAL (S)



PRODUCT DIMENSIONS

Housing height (A)	38 mm
Housing foot height / flange height (A1)	16 mm
Total height (Housing + Insert) from mounting surface (A2)	52,2 mm
Width of IR (B)	49,2 mm
Shaft dia (d)	45 mm
Distance mounting surface - bearing center (e)	22 mm

PRODUCT DIMENSIONS

Grease fitting (G)	M6x1
Housing length, width or diameter (H)	188 mm
Mounting hole distance (J)	148 mm
Housing width / dia (L)	108 mm
Mounting hole dimension (N)	19 mm
Dist. cent. of raceway to face IR on side opp. lock. device (S)	19 mm
Brand	SNR

OTHER FEATURES

Mass	1,85 kg
Recommended tightening torque for set screw [Nm]	11.5 N-m

PRODUCT PERFORMANCE

Dynamic load rating (C)	31,85 kN
Static load rating (C0)	20,8 kN
Operating temperature min.	-20 °C
Operating temperature max.	100 °C