



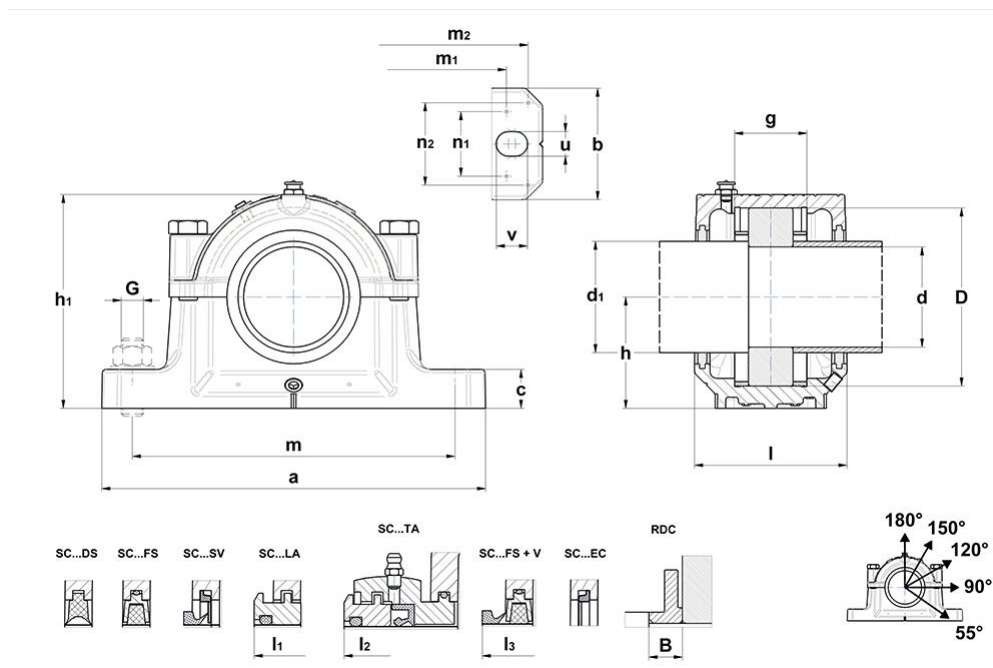
Technical data

SNC232

Split bearing housings SNC(D)

Split plummer block for bearings with cylindrical bore, made of grey cast, for grease lubrication

VISUAL (S)



PRODUCT DIMENSIONS

Shaft diameter (d)	160 mm
Shaft diameter outlet large (d1)	175 mm
Housing length (a)	550 mm
Housing foot width (b)	160 mm
Housing foot height (c)	60 mm
bearing seat width (g)	114 mm
Bearing center height (h)	170 mm
Housing height (h1)	344 mm

PRODUCT DIMENSIONS	
Housing mid width (l)	235 mm
Width over TS (l1)	251 mm
Width over TA (l2)	317 mm
Width over V-ring (l3)	271.0
Mounting hole (or punches) distance (length) (m)	470 mm
distance punches additional holes (m1)	450 mm
distance punches additional holes (width) (n1)	100 mm
distance punches dowel pins (m2)	506 mm
distance punches dowel pins (width) (n2)	116 mm
Mounting hole width (u)	35 mm
Mounting hole length (v)	42 mm
Bearing seat diameter (D)	290 mm
width RDC (B)	40 mm
Initial grease quantity	3000 cm ³
diameter dowel pins	8 mm
distance blind hole bottom pins (m3)	372 mm
Brand	SNR

SEALINGS AND COVER	
Sealing DS	SC 232 DS
Sealing LA	SC 232 LA
Sealing FS	SC 232 FS
Sealing TA	SC 232 TA
Sealing SV	SC 232 SV

SEALINGS AND COVER

end cover EC	SC232-532EC
V-ring option	V180A

ASSOCIATED COMPONENTS - OPTION 1

Bearing	22232
Fixing ring (2x)	FR290x17x6

ASSOCIATED COMPONENTS - OPTION 2

Bearing	23232
Fixing ring (2x)	FR290x5x6

ASSOCIATED COMPONENTS - GENERAL

New Designation of housing	SNC232-532-
Regulation disc	RDC232

BOLTS

Fixing bolts (G)	M30
Recommended torque fixing bolts	1005.0 N-m
Connection bolts	M30x160
Recommended torque connection bolts	1005.0 N-m
Maximum loads 120°	730 kN
Maximum loads 150°	532 kN
Maximum loads 180°	360 kN

BREAKING LOADS

Breaking loads P 0°	1700 kN
Breaking loads P 55°	1450 kN
Breaking loads P 90°	860 kN

BREAKING LOADS

Breaking loads P 120°	640 kN
Breaking loads P 150°	570 kN
Breaking loads P 180°	730 kN