

FAG

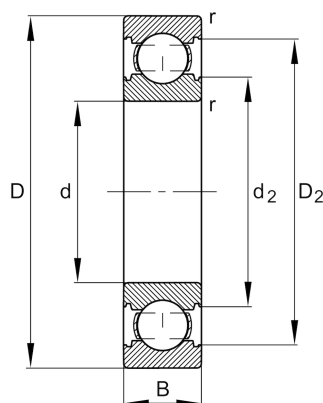
6304-C

Deep groove ball bearing

Schaeffler ID:
0949929670000

Deep groove ball bearing 63..-C, single row, Generation C, steel sheet metal cage

Technical information

**Main Dimensions & Performance Data**

d	20 mm	Bore diameter
D	52 mm	Outside diameter
B	15 mm	Width
C_r	18.500 N	Basic dynamic load rating, radial
C_{0r}	7.800 N	Basic static load rating, radial
C_{ur}	540 N	Fatigue load limit, radial
n_G	22.000 1/min	Limiting speed
n_{gr}	16.100 1/min	Reference speed
	0,14 kg	Weight

Dimensions

r_{min}	1,1 mm	Minimum chamfer dimension
D_2	44,12 mm	Caliber diameter outer ring
d_2	28,83 mm	Caliber diameter inner ring

Mounting dimensions

d_{amin}	27 mm	Minimum diameter shaft shoulder
D_{amax}	45 mm	Maximum diameter of housing shoulder
r_{amax}	1 mm	Maximum fillet radius

Calculation factors

f_0	12,3	Calculation factor
-------	------	--------------------

Temperature range

T_{min}	-30 °C	Operating temperature min.
T_{max}	120 °C	Operating temperature max.

