

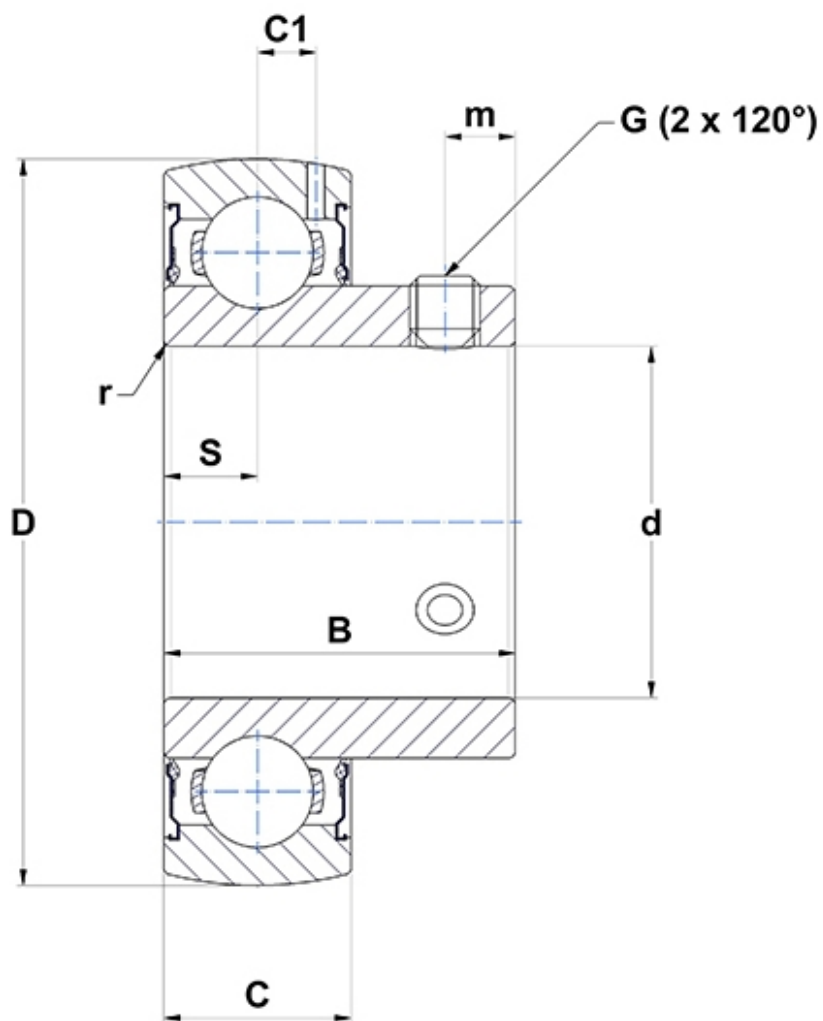
Technical data

US.203.G2

Insert bearings

spherical outer diameter, fixing by socket set screw, single lip seal

Visual(s)



Product definition

B	22 mm
C	12 mm
C1	3.6 mm
d	17 mm
D	40 mm
G	M5x0,8
m	4 mm
r	0.6
S	6 mm
SW	2.5 mm

Product performance

C	9.55 kN
C0	4.78 kN
T min.	-20 °C
T max.	100 °C

Other features

Weight	0.1 kg
Recommended tightening torque for set screw	3.5 Nm