

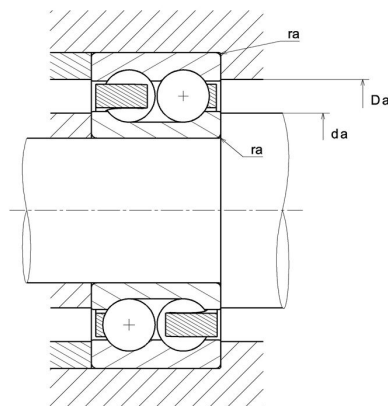
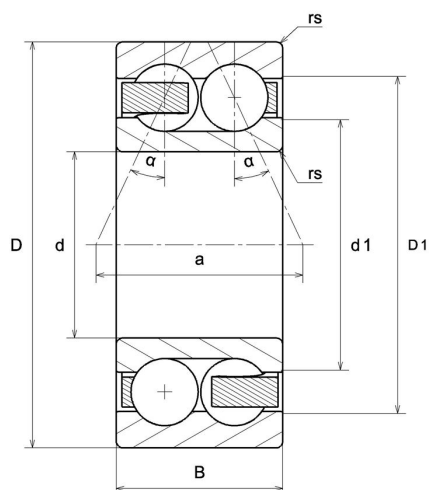
## Technical data

### 3312A

Double row angular contact ball bearings

Double row angular contact ball bearing, polyamide cage, open

## Visual(s)



## Product definition

<b>d</b>	60 mm
<b>D</b>	130 mm
<b>B</b>	54 mm
<b>d1</b>	81.3 mm
<b>D1</b>	108.7 mm
<b>a</b>	67.3 mm
<b>Contact angle <math>\alpha</math></b>	25 °
<b>rs min</b>	2.1 mm
<b>Radial clearance class</b>	CN
<b>Precision class</b>	P0
<b>Mass</b>	3.24 kg
<b>Brand</b>	SNR

## Product performance

<b>Dynamic load, C</b>	121 kN
<b>Static load, C0</b>	97.9 kN
<b>Fatigue limit load, Cu</b>	6.1 kN
<b>f0</b>	13.7
<b>Nref</b>	4,700 Tr/min
<b>Nlim</b>	5,000 Tr/min
<b>Min operating temperature, Tmin</b>	-20 °C
<b>Max operating temperature, Tmax</b>	120 °C
<b>Characteristic cage frequency, FTF</b>	0.39 Hz
<b>Characteristic rolling element frequency, BSF</b>	4.08 Hz
<b>Characteristic outer ring frequency, BPF0</b>	3.15 Hz
<b>Characteristic inner ring frequency, BPFI</b>	4.85 Hz

## Abutment dimensions

<b>da min</b>	71 mm
<b>Da max</b>	119 mm
<b>ra max</b>	2 mm