



## Technical data

### UCP205

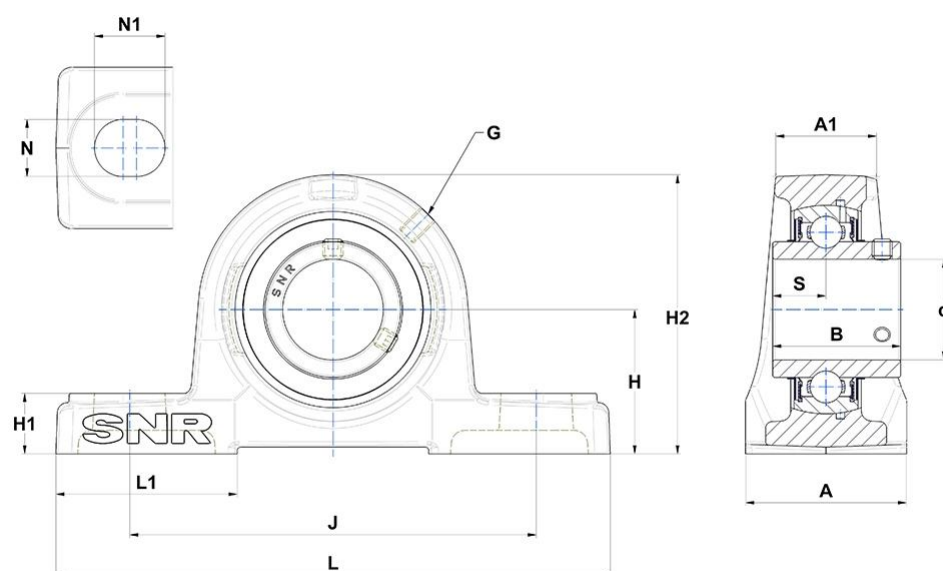
Bearing units

Grey cast housing, radial insert ball bearing with socket set screws, seal with slinger

#### KIT CONTENT

UC205G2, P205

#### VISUAL (S)



#### PRODUCT DIMENSIONS

Housing width (A)	38 mm
Housing top width (A1)	26 mm
Width of IR (B)	34 mm
Shaft dia (d)	25 mm
Grease fitting (G)	M6x1
Distance mounting base to centerline spheric. seating diam. (H)	36,5 mm

### PRODUCT DIMENSIONS

<b>Housing foot height (H1)</b>	16 mm
<b>Housing height (H2)</b>	70 mm
<b>Mounting hole distance (J)</b>	105 mm
<b>Housing length (L)</b>	140 mm
<b>Housing foot length (L1)</b>	42 mm
<b>Mounting hole dimension (N)</b>	13 mm
<b>Mounting hole length (N1)</b>	19 mm
<b>Dist. cent. of raceway to face IR on side opp. lock. device (S)</b>	14,3 mm
<b>Brand</b>	SNR

### OTHER FEATURES

<b>Mass</b>	0,81 kg
<b>Recommended tightening torque for set screw [Nm]</b>	5.5 N-m

### PRODUCT PERFORMANCE

<b>Dynamic load rating (C)</b>	14 kN
<b>Static load rating (C0)</b>	7,88 kN
<b>Operating temperature min.</b>	-20 °C
<b>Operating temperature max.</b>	100 °C