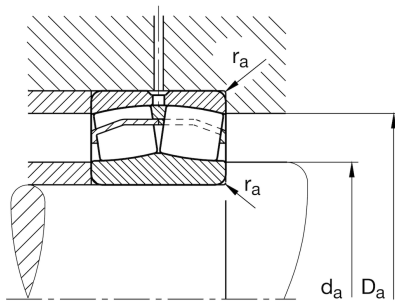
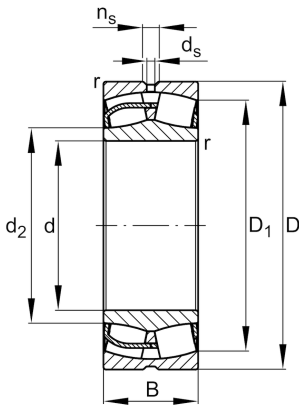
**24122-BE-XL**

Spherical roller bearing

Schaeffler ID:
0568030600000Spherical roller bearing 241..-BE-XL,
symmetric with rib washer

Technical information

**Main Dimensions & Performance Data**

d	110 mm	Bore diameter
D	180 mm	Outside diameter
B	69 mm	Width
C_r	530.000 N	Basic dynamic load rating, radial
C_{0r}	750.000 N	Basic static load rating, radial
C_{ur}	86.000 N	Fatigue load limit, radial
n_G	3.350 1/min	Limiting speed
n_{gr}	1.960 1/min	Reference speed
	6,709 kg	Weight

Additional information

r_{min}	2 mm	Minimum chamfer dimension
D_1	154,9 mm	Bore diameter outer ring
d_2	125,6 mm	Raceway diameter of the inner ring
d_s	3,2 mm	Diameter lubrication hole
n_s	6,5 mm	Width of lubricating groove

Mounting dimensions

$d_{a min}$	121 mm	Minimum diameter shaft shoulder
$D_{a max}$	169 mm	Maximum diameter of housing shoulder
$r_{a max}$	2 mm	Maximum recess radius

Calculation factors

e	0,34	Limiting value of F_a/F_r for the applicability of diff. Values of factors X and Y
Y_1	1,96	Dynamic axial load factor
Y_2	2,92	Dynamic axial load factor
Y_0	1,92	Static axial load factor

Temperature range

T _{min}	-30 °C	Operating temperature min.
T _{max}	200 °C	Operating temperature max.