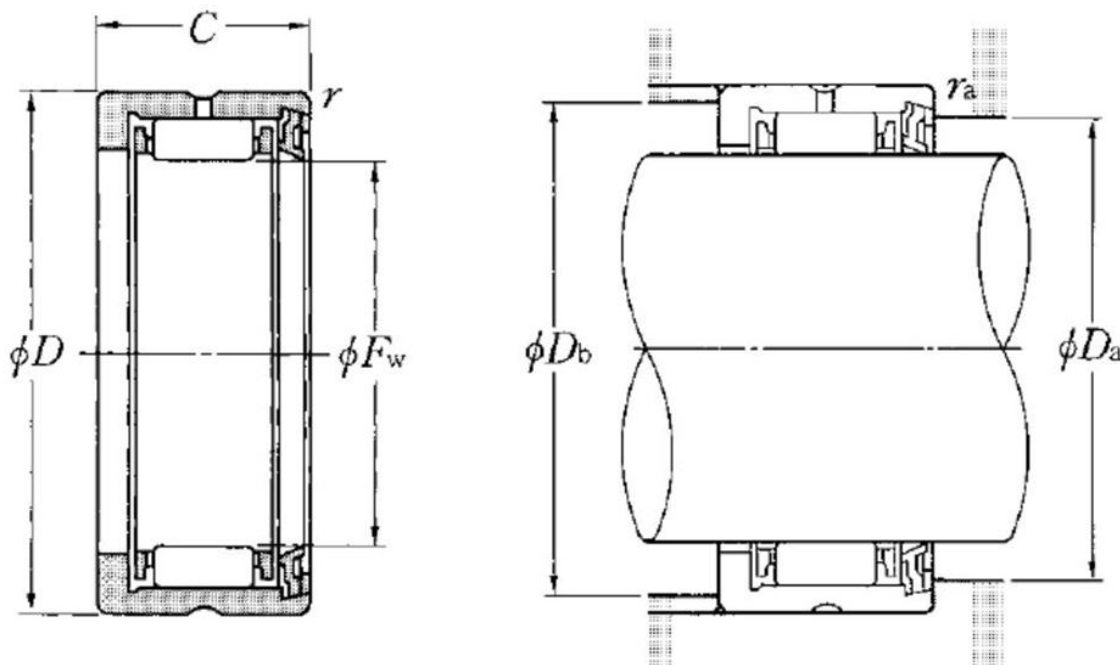


Technical data

RNA4903L/3AS

Needle roller bearing, machined-ring, without inner ring

Visual(s)



Product definition

Fw	22 mm
D	30 mm
C	13 mm
rs min	0.3 mm
Dw	2.5 mm
Lw	7.8 mm
Lubrication hole on outer ring	Oui/Yes
k	2.5 mm
Radial clearance class	CN
Precision class	P0
Mass	0.02 kg
Brand	NTN

Product performance

Cr	8.5 kN
C0r	11.9 kN
Nlim (grease)	9,000 Tr/min
Min operating temperature, Tmin	-20 °C
Max operating temperature, Tmax	100 °C
Characteristic cage frequency, FTF	0.45 Hz
Characteristic rolling element frequency, BSF	9.7 Hz
Characteristic outer ring frequency, BPF0	8.53 Hz
Characteristic inner ring frequency, BPFI	10.47 Hz

Abutment dimensions

Da max	24 mm
Db max	28 mm
ras max	0.3 mm