



Technical data

UCP206T20

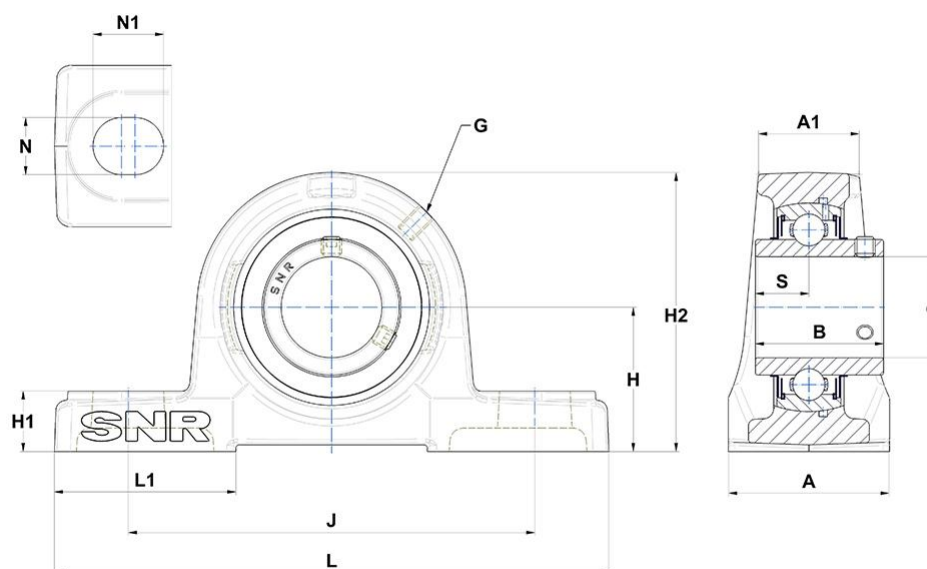
Bearing units

Grey cast housing, radial insert ball bearing with socket set screws, labyrinth seal, for high-temp. applications

KIT CONTENT

UC206G2T20, P206

VISUAL (S)



OTHER FEATURES

Mass	1,42 kg
Recommended tightening torque for set screw [Nm]	5.5 N-m

PRODUCT DIMENSIONS

Housing width (A)	48 mm
Housing top width (A1)	30 mm

PRODUCT DIMENSIONS

Width of IR (B)	38,1 mm
Shaft dia (d)	30 mm
Grease fitting (G)	M6x1
Distance mounting base to centerline spheric. seating diam. (H)	42,9 mm
Housing foot height (H1)	18 mm
Housing height (H2)	83 mm
Mounting hole distance (J)	121 mm
Housing length (L)	165 mm
Housing foot length (L1)	54 mm
Mounting hole dimension (N)	17 mm
Mounting hole length (N1)	21 mm
Dist. cent. of raceway to face IR on side opp. lock. device (S)	15,9 mm
Brand	SNR

PRODUCT PERFORMANCE

Dynamic load rating (C)	19,5 kN
Static load rating (C0)	11,2 kN
Operating temperature min.	-20 °C
Operating temperature max.	200 °C