



Technical data

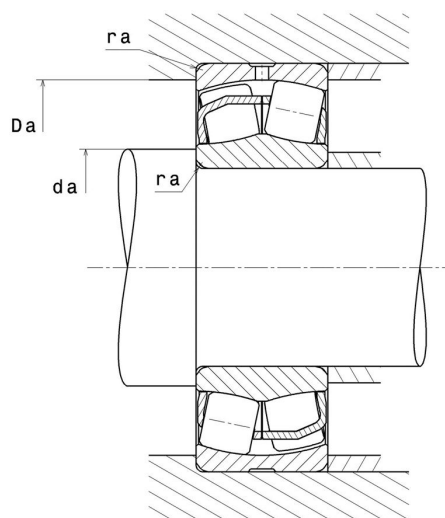
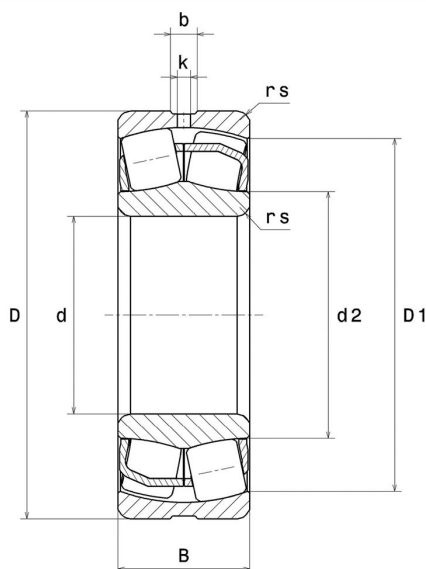
23220.EAW33

Double row spherical roller bearings

Spherical roller bearing, pressed steel cage, groove and lubrication holes on outer ring

ULTAGE

Visual(s)



Product definition

d	100 mm
D	180 mm
B	60.3 mm
d2	118.2 mm
D1	158.9 mm
rs min	2.1 mm
Number of lubrication holes	3
b	9.4 mm
k	4.5 mm
Associated sleeve reference	P0
e	0.31
Y1	2.18
Y2	3.24
Y0	2.13
Radial clearance class	CN
Mass	6.4 kg
Brand	SNR

Product performance

Dynamic load, C	586 kN
Static load, C0	661 kN
Fatigue limit load, Cu	52.7 kN
Nref	2,600 Tr/min
Nlim	3,300 Tr/min
Min operating temperature, Tmin	-40 °C
Max operating temperature, Tmax	200 °C
Characteristic cage frequency, FTF	0.42 Hz
Characteristic rolling element frequency, BSF	6.34 Hz
Characteristic outer ring frequency, BPF0	7.64 Hz
Characteristic inner ring frequency, BPI	10.36 Hz

Abutment dimensions

da min	112 mm
da max	2 mm
Da max	168 mm
ra max	2 mm

Calculation factors

Equivalent dynamic radial load

$$P = X.F_r + Y.F_a$$

Fa / Fr ≤ e		Fa / Fr > e	
X	Y	X	Y
1	Y1	0.67	Y2

Equivalent static radial load

$$P_0 = X_0.F_r + Y_0.F_a$$

X ₀	Y ₀
1	Y0

The values for e, Y1, Y2 and Y0 are shown in the above table .