



RASEY70-XL

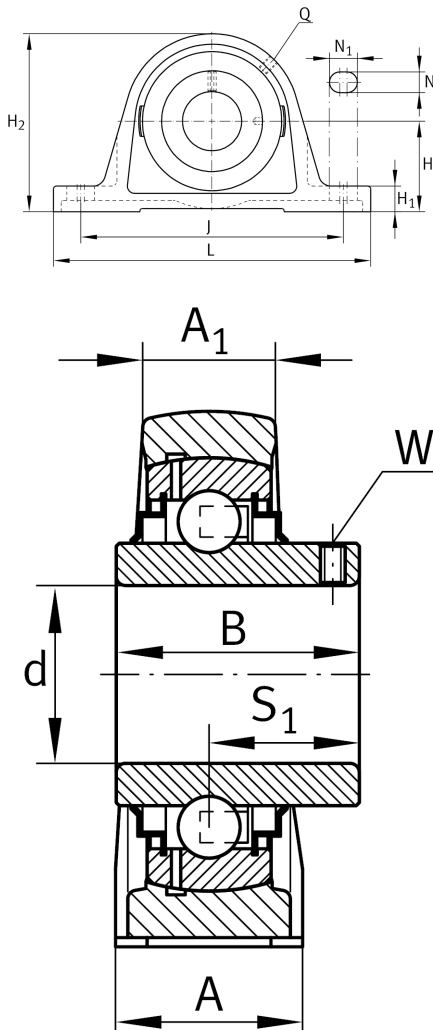
Plummer block housing unit

Schaeffler ID:
0947305550000

Plummer block housing units RASEY, cast iron housing, radial insert ball bearing with grub screws in inner ring, R seals

X-life

Technical information



Dimensions

H	79,4 mm	Distance shaft axis
A	65 mm	Width (base)
A ₁	44 mm	Width (head)
H ₁	27,5 mm	Height (base)
B	74,6 mm	Width
S ₁	44,4 mm	Distance of raceway to locking collar
Q	M6	Connection thread lubrication
	6,02 kg	Weight

Main Dimensions & Performance Data

d	70 mm	Bore diameter
L	260 mm	Length total
H ₂	156 mm	Hight

Mounting dimensions

J	202,5 mm	Distance fixing bore
N	22 mm	Width (slot)
N ₁	28 mm	Length (slot)

Additional information

ASE14	Housing
GYE70-XL-KRR-B	Bearing designation