



## Technical data

### UCT214

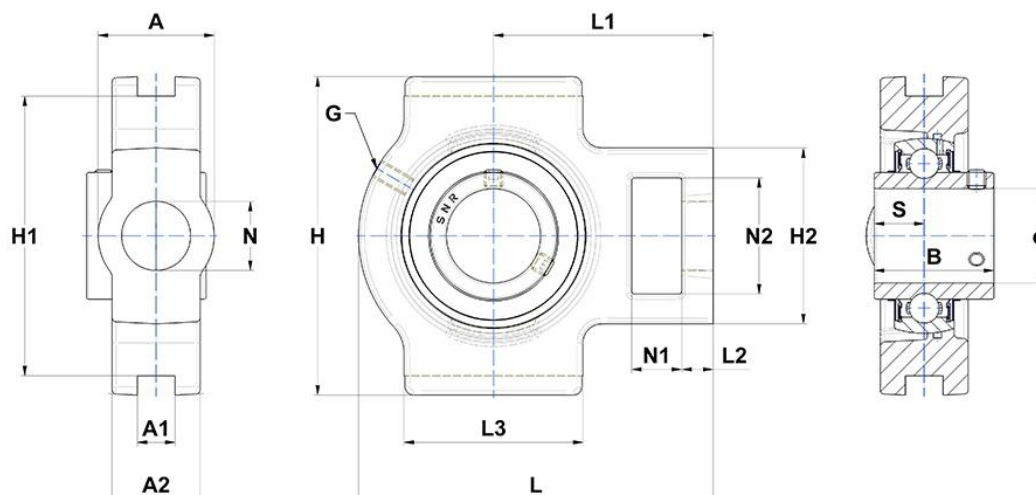
Bearing units

Grey cast housing, radial insert ball bearing with socket set screws, seal with slinger

## KIT CONTENT

UC214G2, T214

## VISUAL (S)



## PRODUCT DIMENSIONS

<b>Housing width (A)</b>	70 mm
<b>Width of location slot (A1)</b>	26 mm
<b>Width over loc. slot flange(T/ST)/width at mount. hole(EHE)(A2)</b>	46 mm
<b>Total height - frame + insert (A5)</b>	44,4 mm
<b>Width of IR (B)</b>	74,6 mm
<b>Shaft dia (d)</b>	70 mm

## PRODUCT DIMENSIONS

<b>Grease fitting (G)</b>	M10x1
<b>Housing length, width or diameter (H)</b>	167 mm
<b>Distance between bottoms of location slots (H1)</b>	151 mm
<b>Housing height / width (H2)</b>	111 mm
<b>Housing length (L)</b>	224 mm
<b>Distance from attachment end face to bearing centerline (L1)</b>	137 mm
<b>Thickness of attachment end (L2)</b>	21 mm
<b>Length of location slot (T/ST)/ guidance length (EHE) (L3)</b>	121 mm
<b>Mounting hole dimension (N)</b>	41 mm
<b>Length of attachment slot (N1)</b>	32 mm
<b>Height of attachment slot (N2)</b>	70 mm
<b>Dist. cent. of raceway to face IR on side opp. lock. device (S)</b>	30,2 mm
<b>Wrench size (SW)</b>	6 mm
<b>Brand</b>	SNR

## PRODUCT PERFORMANCE

<b>Dynamic load rating (C)</b>	62 kN
<b>Static load rating (C0)</b>	45 kN
<b>Operating temperature min.</b>	-20 °C
<b>Operating temperature max.</b>	100 °C

## OTHER FEATURES

<b>Mass</b>	6,85 kg
<b>Recommended tightening torque for set screw [Nm]</b>	33.0 N-m