



Technical data

UCFC213

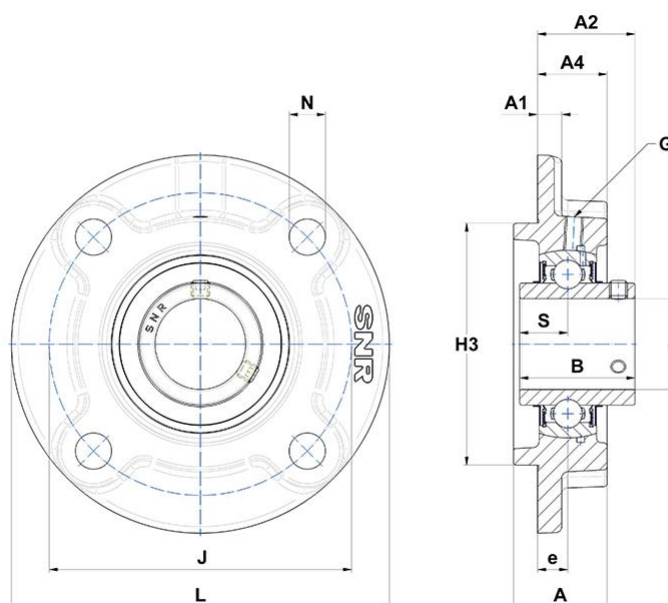
Bearing units

Grey cast housing, radial insert ball bearing with socket set screws, seal with slinger

KIT CONTENT

UC213G2, FC213

VISUAL (S)



OTHER FEATURES

Mass	5,48 kg
Recommended tightening torque for set screw [Nm]	33.0 N-m

PRODUCT DIMENSIONS

Housing height (A)	49 mm
Housing foot height / flange height (A1)	15 mm
Total height (Housing + Insert) from mouting surface (A2)	55,7 mm

PRODUCT DIMENSIONS

Housing height from mounting surface (A4)	35 mm
Width of IR (B)	65,1 mm
Shaft dia (d)	65 mm
Distance mounting surface - bearing center (e)	16 mm
Grease fitting (G)	M6x1
Centering dia (H3)	145 mm
Mounting hole distance (J)	170 mm
Housing width / dia (L)	205 mm
Mounting hole dimension (N)	19 mm
Dist. cent. of raceway to face IR on side opp. lock. device (S)	25,4 mm
Brand	SNR

PRODUCT PERFORMANCE

Dynamic load rating (C)	57,2 kN
Static load rating (C0)	40 kN
Operating temperature min.	-20 °C
Operating temperature max.	100 °C