

PSHE20-XL-N

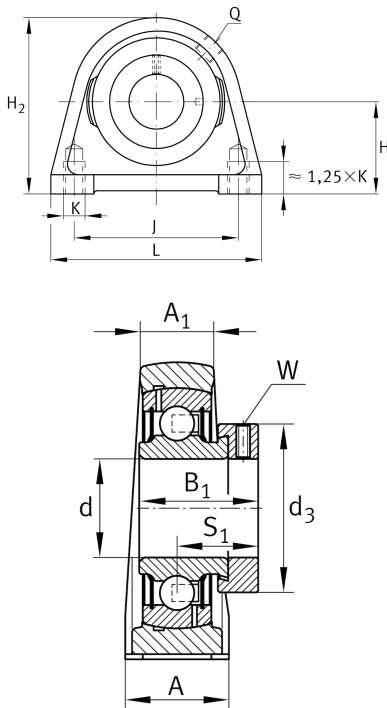
Plummer block housing unit

Schaeffler ID:
0096447090000

Plummer block housing units PSHE, cast iron housing, radial insert ball bearing with eccentric locking collar, P seals

X-life

Technical information



Dimensions

H	33,3 mm	Distance shaft axis
A	32 mm	Width (base)
A ₁	19 mm	Width (head)
Q	M6	Connection thread lubrication
S ₁	23,5 mm	Distance of raceway to locking collar
	0,46 kg	Weight

Main Dimensions & Performance Data

d	20 mm	Bore diameter
L	65 mm	Length total
H ₂	64 mm	Height

Mounting dimensions

J	50,8 mm	Distance fixing bore
K	M8	Thread fixing bore

Additional information

SHE04	Housing
GRAE20-XL-NPP-B	Bearing designation
KASK04	Protecting cap