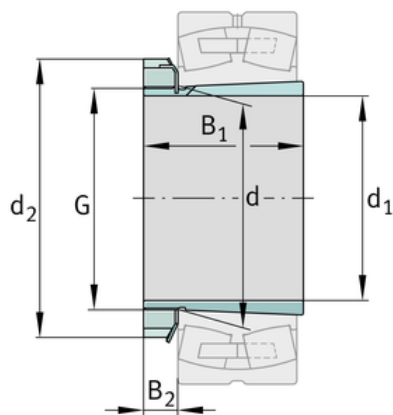
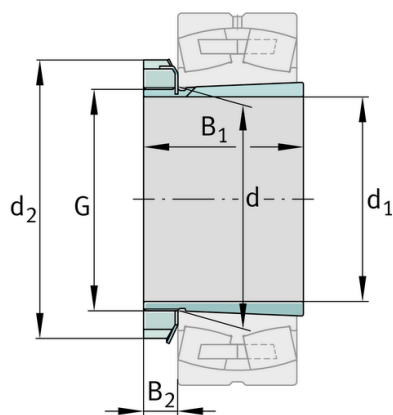
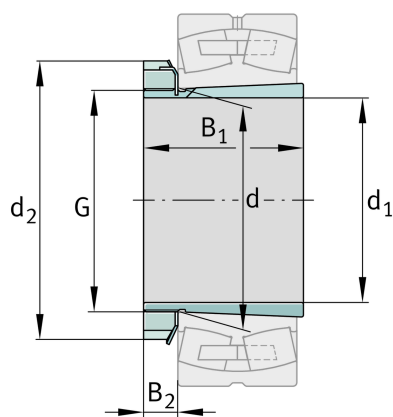
**FAG****H2326****Adapter sleeve**Schaeffler ID:
0167308600000Adapter sleeve H, accessory rolling
bearing, complete, mechanical, FP

Technical information

**Dimensions**

d	130 mm	Bore diameter bearing
d ₂	165 mm	Outside diameter nut
B ₂	23 mm	Width nut and lock
	4,587 kg	Weight

Main Dimensions & Performance Data

d ₁	115 mm	bore diameter
G	M130x2	Thread
B ₁	121 mm	sleeve length

Additional information

	KM26	Locknut
	MB26	Fuse
	1:12	Taper

