



Technical data

UCF320

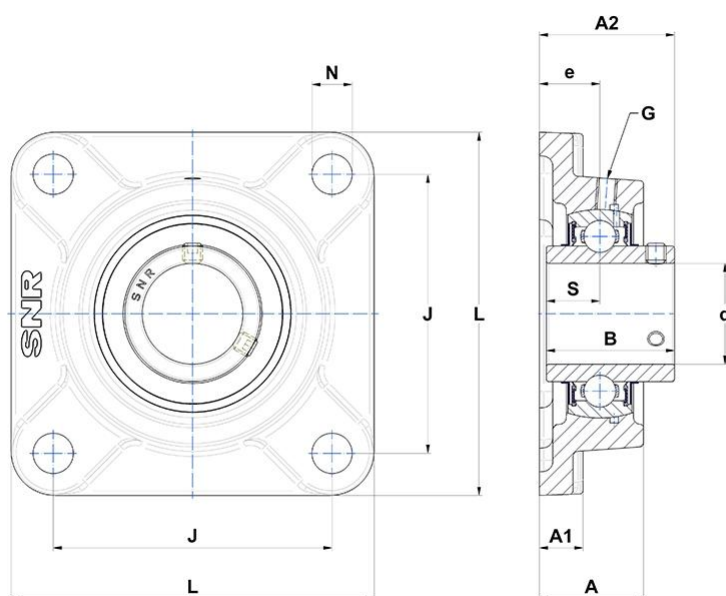
Bearing units

Grey cast housing, radial insert ball bearing with socket set screws, seal with slinger

KIT CONTENT

UC320G2, UC320G2, F320

VISUAL (S)



OTHER FEATURES

Mass	25,6 kg
Recommended tightening torque for set screw [Nm]	75.0 N-m

PRODUCT DIMENSIONS

Housing height (A)	94 mm
Housing foot height / flange height (A1)	32 mm
Total height (Housing + Insert) from mounting surface (A2)	125 mm

PRODUCT DIMENSIONS

Width of IR (B)	108 mm
Shaft dia (d)	100 mm
Distance mounting surface - bearing center (e)	59 mm
Grease fitting (G)	M10x1
Mounting hole distance (J)	242 mm
Housing width / dia (L)	310 mm
Mounting hole dimension (N)	38 mm
Dist. cent. of raceway to face IR on side opp. lock. device (S)	42 mm
Brand	SNR

PRODUCT PERFORMANCE

Dynamic load rating (C)	171,6 kN
Static load rating (C0)	140 kN
Operating temperature min.	-20 °C
Operating temperature max.	100 °C