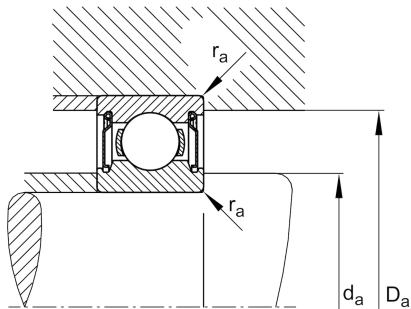
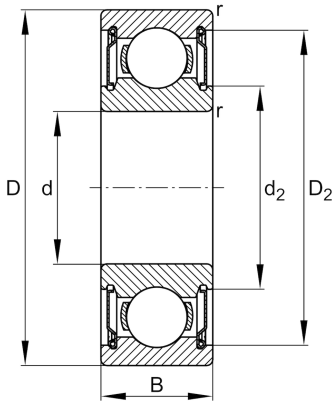
**FAG****6201-H-2Z**

Deep groove ball bearing

Schaeffler ID:
0936880750000

Deep groove ball bearing 62...-H-2Z, single row, H-Series, shields, steel sheet metal cage

Technical information

**Temperature range**

T_{min}	-20 °C	Operating temperature min.
T_{max}	120 °C	Operating temperature max.
	0,035 kg	Weight

Main Dimensions & Performance Data

d	12 mm	Bore diameter
D	32 mm	Outside diameter
B	10 mm	Width
C_r	7.280 N	Basic dynamic load rating, radial
C_{0r}	3.100 N	Basic static load rating, radial
C_{ur}	179 N	Fatigue load limit, radial
n_G	28.500 1/min	Limiting speed
n_{gr}	21.900 1/min	Reference speed

Dimensions

r_{min}	0,6 mm	Minimum chamfer dimension
D_2	27,6 mm	Caliber diameter outer ring
d_2	17,1 mm	Caliber diameter inner ring

Mounting dimensions

$d_{a min}$	16,2 mm	Minimum diameter shaft shoulder
$D_{a max}$	27,8 mm	Maximum diameter of housing shoulder
$r_{a max}$	0,6 mm	Maximum fillet radius

Calculation factors

f_0	12,5	Calculation factor
-------	------	--------------------