

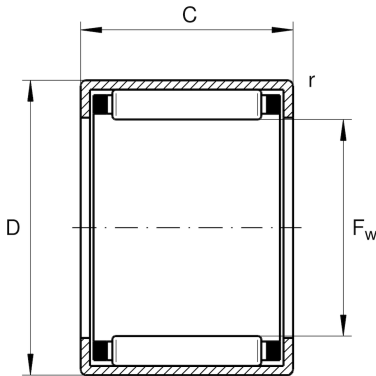
HK1412-B

Drawn cup needle roller bearing open end

Schaeffler ID:
0000592180000

Drawn cup needle roller bearings with
open ends HK, to DIN 618/ISO 3245

Technical information



Additional information

SD14X20X3	Sealing ring
G14X20X3	Sealing ring 2
IR10X14X13-XL	Suitable inner rings IR
10,08 g	Weight

Main Dimensions & Performance Data

F_w	14 mm	Under roller diameter
D	20 mm	Outside diameter
C	12 mm	Width
C_r	7.100 N	Basic dynamic load rating, radial
C_{0r}	8.500 N	Basic static load rating, radial
C_{ur}	1.030 N	Fatigue load limit, radial
n_G	17.500 1/min	Limiting speed
$n_{G \text{ Grease}}$	10.500 1/min	Limiting speed for grease lubrication
n_{gr}	13.500 1/min	Reference speed

Dimensions

C_1	12 mm	Width, outer ring
r_{min}	0,8 mm	Minimum chamfer dimension

Temperature range

T_{min}	-30 °C	Operating temperature min.
T_{max}	140 °C	Operating temperature max.