

FAG

**3313-BD-XL-TVH**

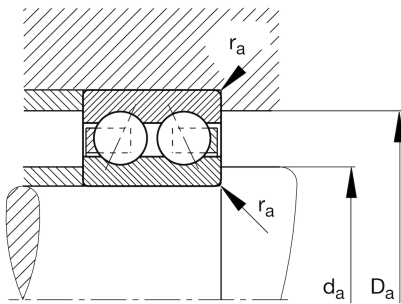
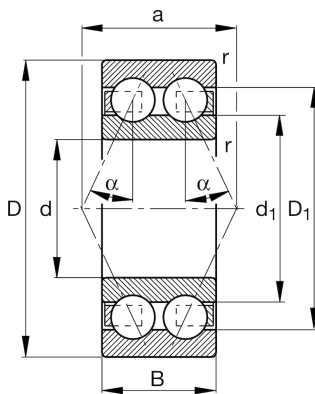
Angular contact ball bearing

Schaeffler ID:  
0788348560000

Angular contact ball bearing 33..-BD-XL-TVH, double row, 1 inner ring

X-life

## Technical information

**Main Dimensions & Performance Data**

d	65 mm	Bore diameter
D	140 mm	Outside diameter
B	58,7 mm	Width
$r_{\min}$	2,1 mm	Minimum chamfer dimension
$C_r$	150.000 N	Basic dynamic load rating, radial
$C_{0r}$	119.000 N	Basic static load rating, radial
$C_{ur}$	8.100 N	Fatigue load limit, radial
$n_G$	4.900 1/min	Limiting speed
$n_{gr}$	5.300 1/min	Reference speed
	4,1 kg	Weight

**Dimensions**

$D_1$	120,5 mm	Shoulder diameter outer ring
$d_1$	93,4 mm	Shoulder diameter inner ring
a	83,5 mm	Distance between the apexes of the pressure cones
$\alpha$	30 °	Contact angle

**Mounting dimensions**

$d_{a\min}$	77 mm	Minimum diameter shaft shoulder
$D_{a\max}$	128 mm	Maximum diameter of housing shoulder
$r_{a\max}$	2,1 mm	Maximum fillet radius

**Temperature range**

$T_{\min}$	-30 °C	Operating temperature min.
$T_{\max}$	120 °C	Operating temperature max.