

FAG

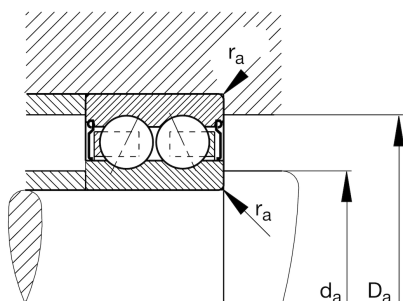
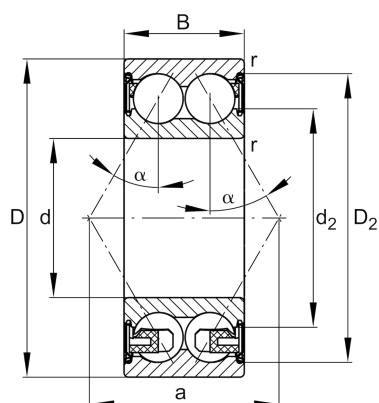
**3310-BD-XL-2Z-TVH**

Angular contact ball bearing

Schaeffler ID:  
0632859750000Angular contact ball bearing 33..-BD-  
XL-2Z-TVH, double row, X-life, shields,  
plastic cage

X-life

## Technical information

**Main Dimensions & Performance Data**

d	50 mm	Bore diameter
D	110 mm	Outside diameter
B	44,4 mm	Width
$C_r$	93.000 N	Basic dynamic load rating, radial
$C_{0r}$	70.000 N	Basic static load rating, radial
$C_{ur}$	4.850 N	Fatigue load limit, radial
$n_G$	4.900 1/min	Limiting speed
$n_{gr}$	6.300 1/min	Reference speed
	1,77 kg	Weight

**Dimensions**

$r_{min}$	2 mm	Minimum chamfer dimension
$D_2$	96,8 mm	Caliber diameter outer ring
$d_2$	69,1 mm	Caliber diameter inner ring
a	64,2 mm	Distance between the apexes of the pressure cones
$\alpha$	30 °	Contact angle

**Mounting dimensions**

$d_{a min}$	61 mm	Minimum diameter shaft shoulder
$D_{a max}$	99 mm	Maximum diameter of housing shoulder
$r_{a max}$	2 mm	Maximum fillet radius

**Temperature range**

$T_{min}$	-20 °C	Operating temperature min.
$T_{max}$	120 °C	Operating temperature max.