



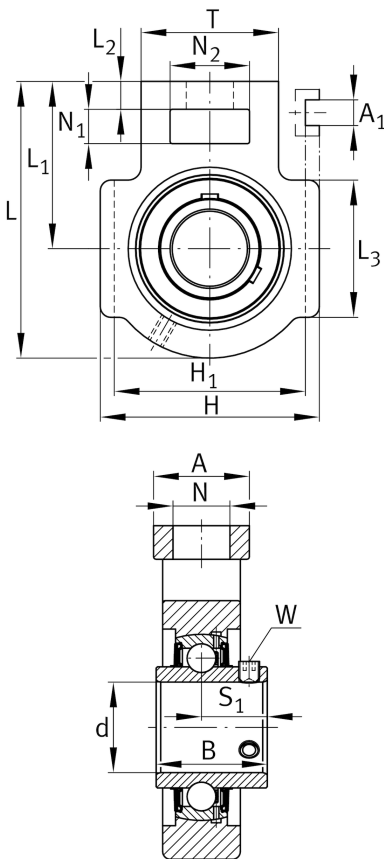
FAG

UCT212

Take-up housing unit

Schaeffler ID:
0822506500000Housing units UCT, cast iron housing,
radial insert ball bearing with grub screws
in inner ring, RSR seals, for linear motion

Technical information

**Dimensions**

L_1	119 mm	Distance shaft axis
L_2	19 mm	Length fixed link
L_3	102 mm	Length guidance groove
A	64 mm	Width housing fixing side
N_1	32 mm	Width recess
N_2	64 mm	Height recess
B	65,1 mm	Width inner ring
S_1	39,7 mm	Distance of raceway to locking collar
T	102 mm	Height housing fixing side
Q	M6	Connection thread lubrication
A_2	42 mm	Width housing
	4,7 kg	Weight

Main Dimensions & Performance Data

d	60 mm	Bore diameter
H	146 mm	Height
L	194 mm	Length total

Mounting dimensions

A_1	22 mm	Width guidance groove
	0,3 mm	Upper width guidance groove tolerance
	0 mm	Lower width guidance groove tolerance
H_1	130 mm	Distance guidance grooves
	0 mm	Upper distance guidance groove tolerance
	-0,8 mm	Lower distance guidance groove tolerance
N	35 mm	Fixing bore

Additional information

T212	Housing
UC212	Bearing designation