



## RCJT35-XL-N

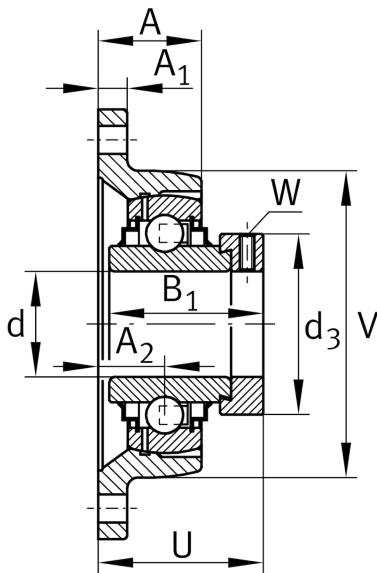
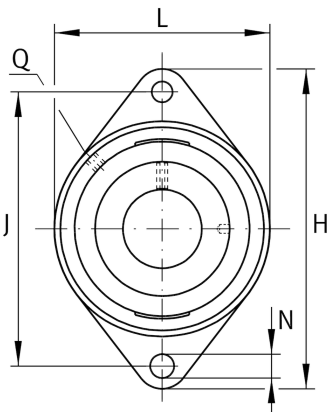
### Flanged housing unit

Schaeffler ID:  
0096442530000

Housing units RCJT, two-bolt flanged housing units, cast iron, eccentric locking collar, R seals

X-life

### Technical information



#### Dimensions

|                |         |   |
|----------------|---------|---|
| A              | 30,5 mm | Height housing                            |
| A <sub>1</sub> | 12,5 mm | Thickness of flange                       |
| A <sub>2</sub> | 21 mm   | Distance raceway                          |
| V              | 92 mm   | Shoulder diameter housing                 |
| Q              | M6      | Connection thread lubrication             |
| d <sub>3</sub> | 55 mm   | Outside diameter eccentric locking collar |
|                | 1,21 kg | Weight                                    |

#### Main Dimensions & Performance Data

|                 |          |                                   |
|-----------------|----------|-----------------------------------|
| d               | 35 mm    | Bore diameter                     |
| L               | 92 mm    | Flange width                      |
| H               | 155 mm   | Height flange                     |
| U               | 53,5 mm  | Total height unit                 |
| C <sub>r</sub>  | 25.500 N | Basic dynamic load rating, radial |
| C <sub>0r</sub> | 15.300 N | Basic static load rating, radial  |
| C <sub>ur</sub> | 800 N    | Fatigue load limit, radial        |

#### Mounting dimensions

|   |        |                          |
|---|--------|--------------------------|
| J | 130 mm | Distance fixing bore     |
| N | 14 mm  | Fixing bore              |
| n | 2      | Number of screwing holes |

#### Additional information

|               |                     |
|---------------|---------------------|
| 1             | Number of housings  |
| CJT07         | Housing             |
| GE35-XL-KRR-B | Bearing designation |
| KASK07        | Protecting cap      |