

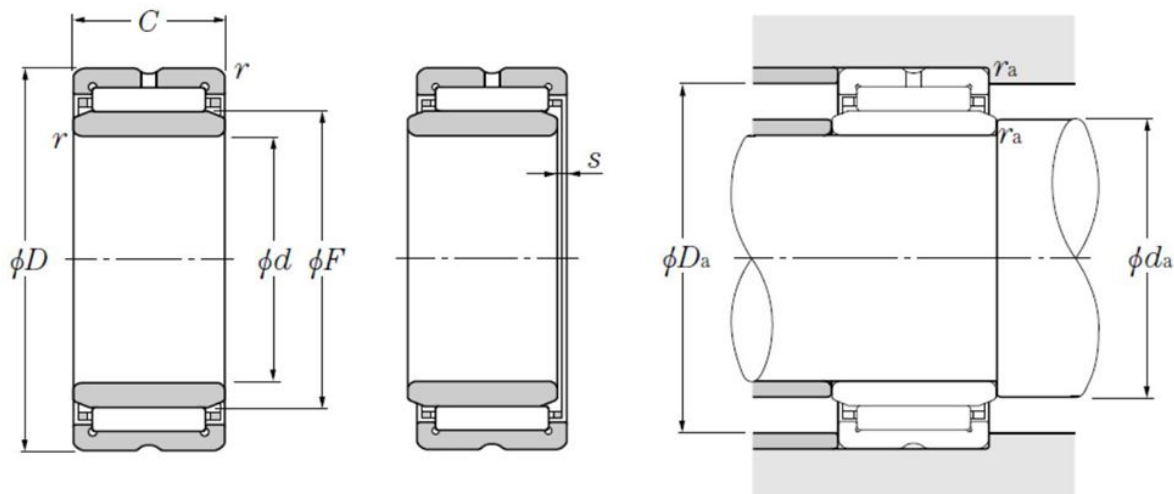
## Technical data

### NA4901R

Needle roller bearing, machined-ring, with inner ring

Needle roller bearing, machined-rings, with inner ring, double-side ribs, lubrication hole

### Visual(s)



### Product definition

<b>d</b>	12 mm
<b>D</b>	24 mm
<b>C</b>	13 mm
<b>F</b>	16 mm
<b>rs min</b>	0.3 mm
<b>s max</b>	0.5 mm
<b>Dw</b>	2.5 mm
<b>Lw</b>	9.8 mm
<b>Lubrication hole on outer ring</b>	Oui/Yes
<b>k</b>	2 mm
<b>Lubrication hole on inner ring</b>	Non/No
<b>Radial clearance class</b>	CN
<b>Precision class</b>	P0
<b>Mass</b>	0.03 kg
<b>Brand</b>	NTN

## Product performance

<b>Cr</b>	9.55 kN
<b>C0r</b>	10.9 kN
<b>Nlim (grease)</b>	15,000 Tr/min
<b>Nlim (oil)</b>	23,000 Tr/min
<b>Min operating temperature, Tmin</b>	-20 °C
<b>Max operating temperature, Tmax</b>	120 °C
<b>Characteristic cage frequency, FTF</b>	0.43 Hz
<b>Characteristic rolling element frequency, BSF</b>	7.26 Hz
<b>Characteristic outer ring frequency, BPF0</b>	6.05 Hz
<b>Characteristic inner ring frequency, BPFI</b>	7.95 Hz

## Abutment dimensions

<b>da min</b>	14 mm
<b>Da max</b>	22 mm
<b>ras max</b>	0.3 mm