



Technical data

UCP210-31

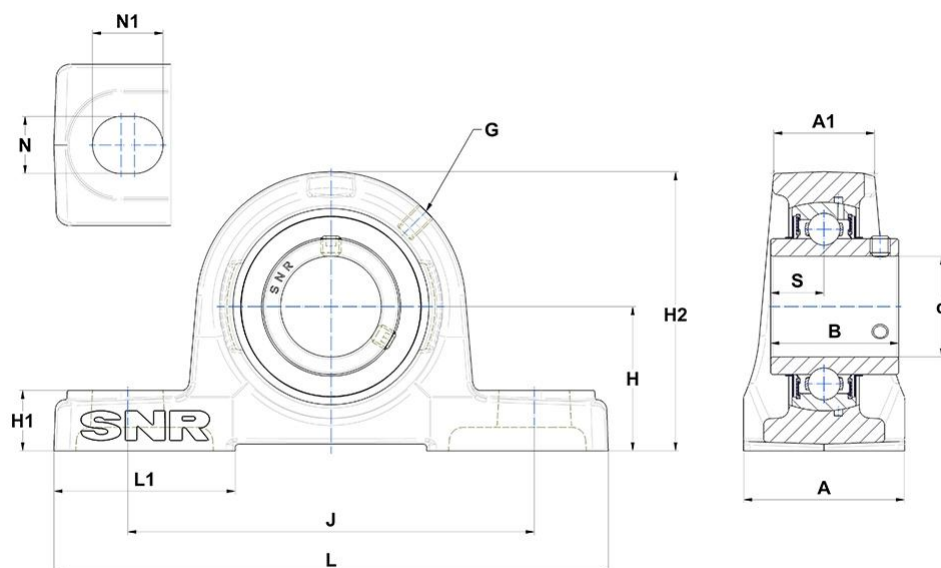
Bearing units

Grey cast housing, radial insert ball bearing with socket set screws, seal with slinger

KIT CONTENT

UC210-31G2, P210

VISUAL (S)



OTHER FEATURES

| | |
|---|----------|
| Mass | 3,02 kg |
| Recommended tightening torque for set screw [Nm] | 16.8 N-m |

PRODUCT DIMENSIONS

| | |
|-------------------------------|---------|
| Housing width (A) | 60 mm |
| Housing top width (A1) | 39 mm |
| Width of IR (B) | 51,6 mm |

PRODUCT DIMENSIONS

| | |
|--|-----------|
| Shaft dia (d) | 49,213 mm |
| Grease fitting (G) | M6x1 |
| Distance mounting base to centerline spheric. seating diam. (H) | 57,2 mm |
| Housing foot height (H1) | 22 mm |
| Housing height (H2) | 114 mm |
| Mounting hole distance (J) | 159 mm |
| Housing length (L) | 206 mm |
| Housing foot length (L1) | 65 mm |
| Mounting hole dimension (N) | 20 mm |
| Mounting hole length (N1) | 25 mm |
| Dist. cent. of raceway to face IR on side opp. lock. device (S) | 19 mm |
| Brand | SNR |

PRODUCT PERFORMANCE

| | |
|-----------------------------------|---------|
| Dynamic load rating (C) | 35,1 kN |
| Static load rating (C0) | 23,2 kN |
| Operating temperature min. | -20 °C |
| Operating temperature max. | 100 °C |