



Technical data

UCP208T20

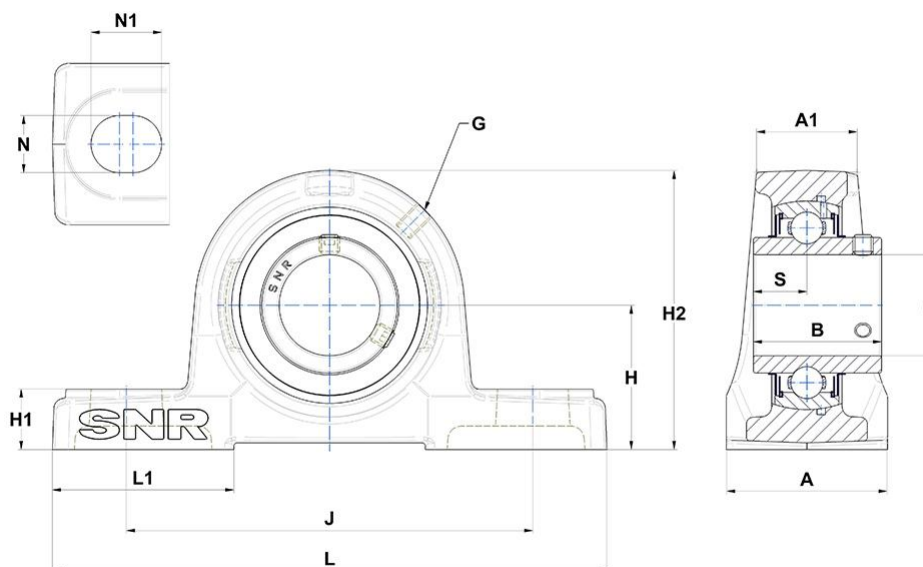
Bearing units

Grey cast housing, radial insert ball bearing with socket set screws, labyrinth seal, for high-temp. applications

KIT CONTENT

UC208G2T20, P208

VISUAL (S)



OTHER FEATURES

| | |
|---|----------|
| Mass | 2,14 kg |
| Recommended tightening torque for set screw [Nm] | 11.5 N-m |

PRODUCT DIMENSIONS

| | |
|-------------------------------|-------|
| Housing width (A) | 54 mm |
| Housing top width (A1) | 34 mm |

PRODUCT DIMENSIONS

| | |
|--|---------|
| Width of IR (B) | 49,2 mm |
| Shaft dia (d) | 40 mm |
| Grease fitting (G) | M6x1 |
| Distance mounting base to centerline spheric. seating diam. (H) | 49,2 mm |
| Housing foot height (H1) | 19 mm |
| Housing height (H2) | 100 mm |
| Mounting hole distance (J) | 137 mm |
| Housing length (L) | 184 mm |
| Housing foot length (L1) | 52 mm |
| Mounting hole dimension (N) | 17 mm |
| Mounting hole length (N1) | 23 mm |
| Dist. cent. of raceway to face IR on side opp. lock. device (S) | 19 mm |
| Brand | SNR |

PRODUCT PERFORMANCE

| | |
|-----------------------------------|---------|
| Dynamic load rating (C) | 29,6 kN |
| Static load rating (C0) | 18,2 kN |
| Operating temperature min. | -20 °C |
| Operating temperature max. | 200 °C |