

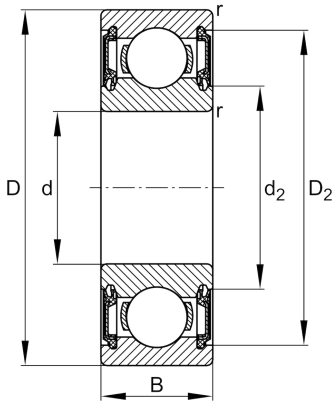
FAG

6308-H-2RSR

Deep groove ball bearing

Schaeffler ID:
0938687310000Deep groove ball bearing 63..-H-2RSR,
single row, H-Series, seals, steel sheet
metal cage

Technical information

**Main Dimensions & Performance Data**

d	40 mm	Bore diameter
D	90 mm	Outside diameter
B	23 mm	Width
C_r	40.760 N	Basic dynamic load rating, radial
C_{0r}	24.010 N	Basic static load rating, radial
C_{ur}	1.440 N	Fatigue load limit, radial
n_G	4.850 1/min	Limiting speed
	0,654 kg	Weight

Dimensions

r_{min}	1,5 mm	Minimum chamfer dimension
D_2	78,3 mm	Caliber diameter outer ring
d_2	52,5 mm	Caliber diameter inner ring

Mounting dimensions

$d_{a min}$	49 mm	Minimum diameter shaft shoulder
$D_{a max}$	81 mm	Maximum diameter of housing shoulder
$r_{a max}$	1,5 mm	Maximum fillet radius

Calculation factors

f_0	13,2	Calculation factor
-------	------	--------------------

Temperature range

T_{min}	-20 °C	Operating temperature min.
T_{max}	110 °C	Operating temperature max.

